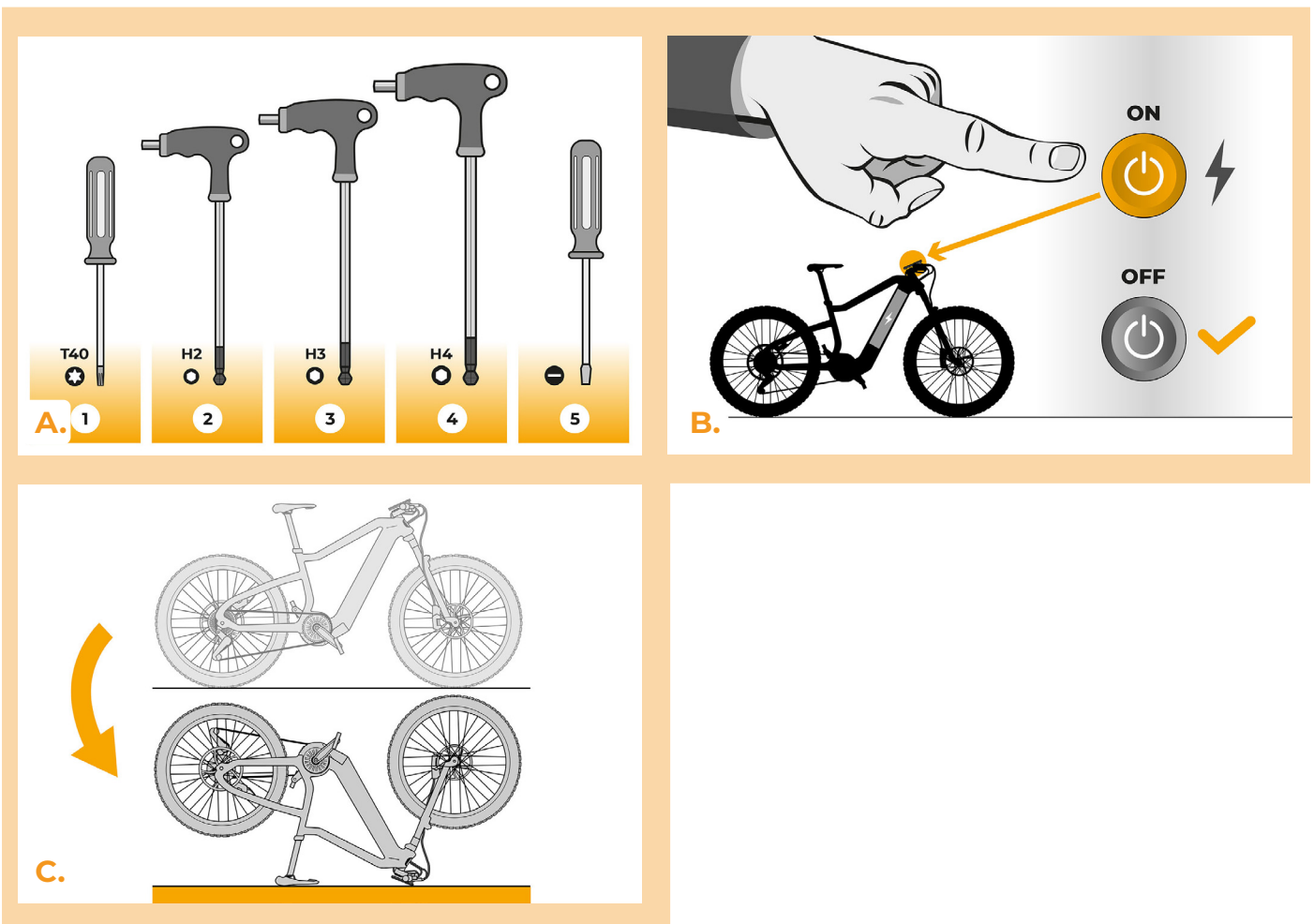


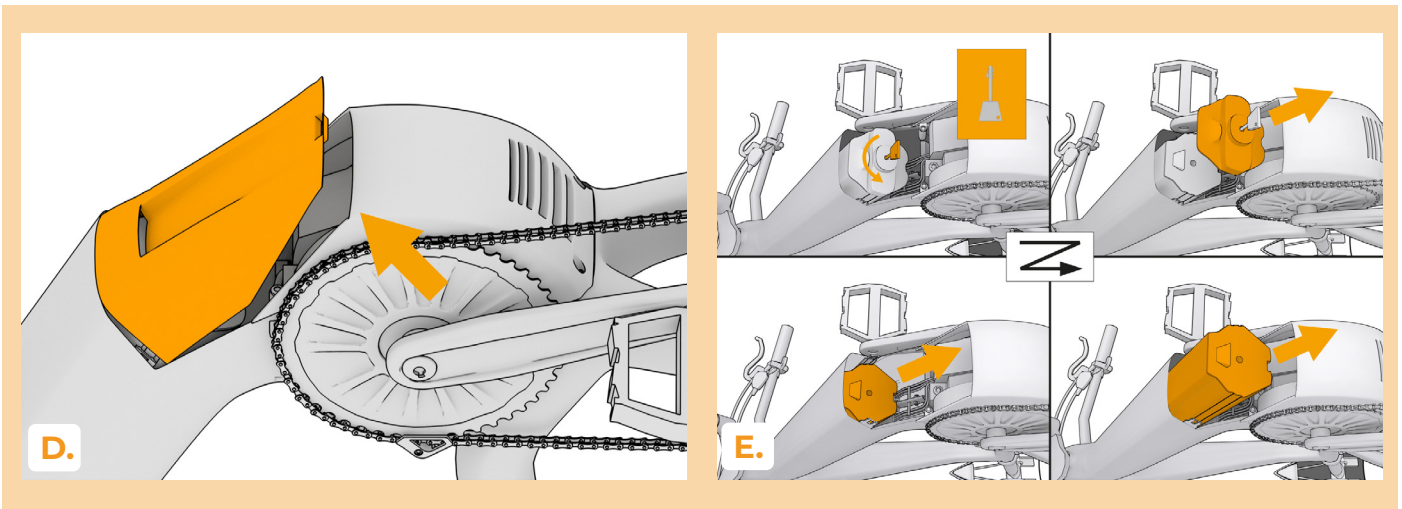
SpeedBox 3.0 B.Tuning for Flyon

STEP 1: Preparation for installation

- A.** Prepare the following tools:
 1. T40 Torx screwdriver
 2. Hex Key H2
 3. Hex Key H3
 4. Hex Key H4
 5. Precision slotted screwdriver
- B.** Turn off the e-bike.
- C.** Turn the e-bike upside down.

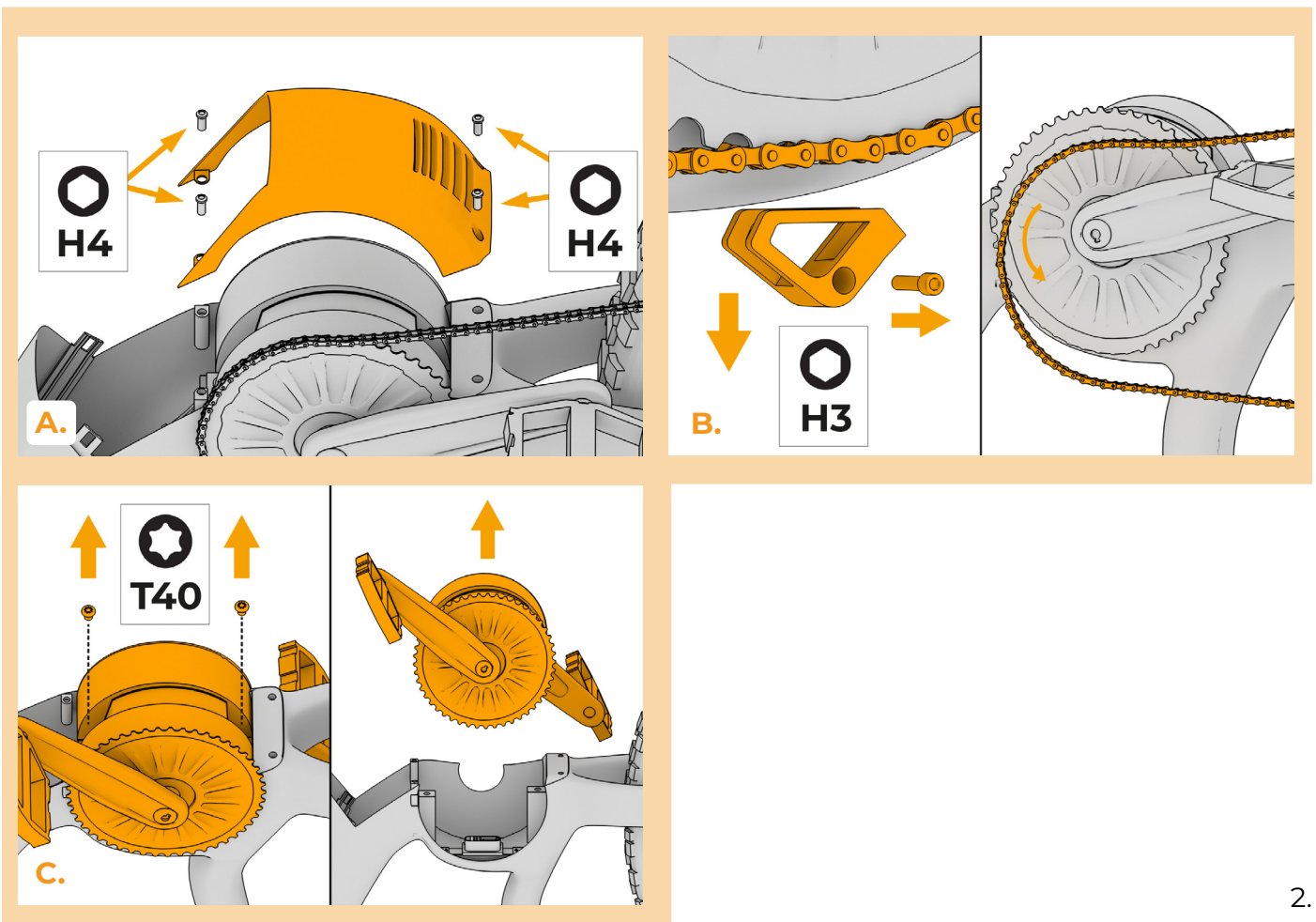


- D. Demontujte kryt baterie.
- E. Odemkněte a vyjměte baterii.



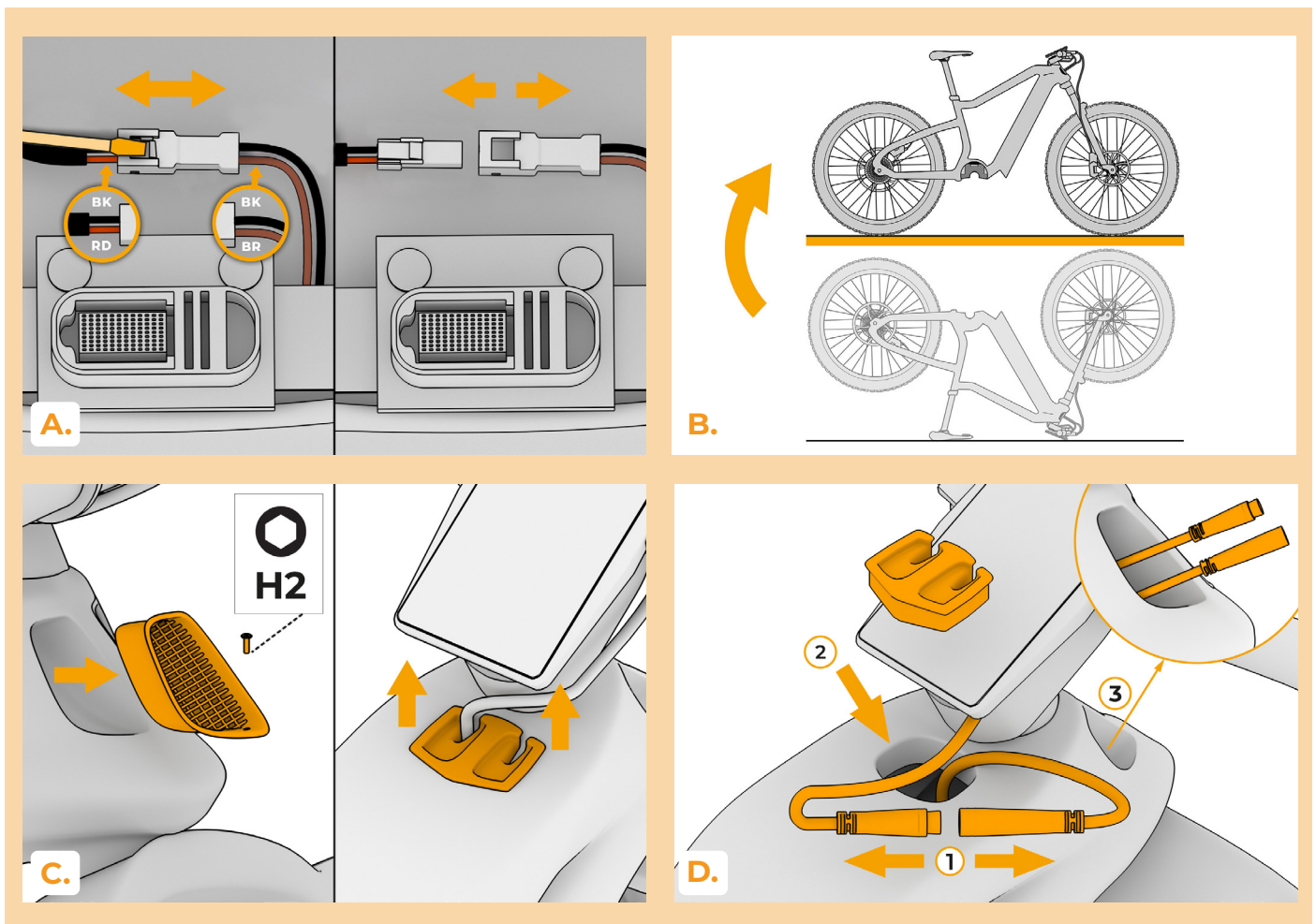
STEP 2: Motor removal

- A. Unscrew the four screws holding the motor cover with the hex key H4.
- B. Detach the chain guide with the hex key H3 and take off the chain.
- C. Unscrew the two screws holding the motor with the T40 Torx screwdriver and pull it out of the frame. CAUTION! Pull the motor perpendicularly upwards to avoid damaging motor connector.



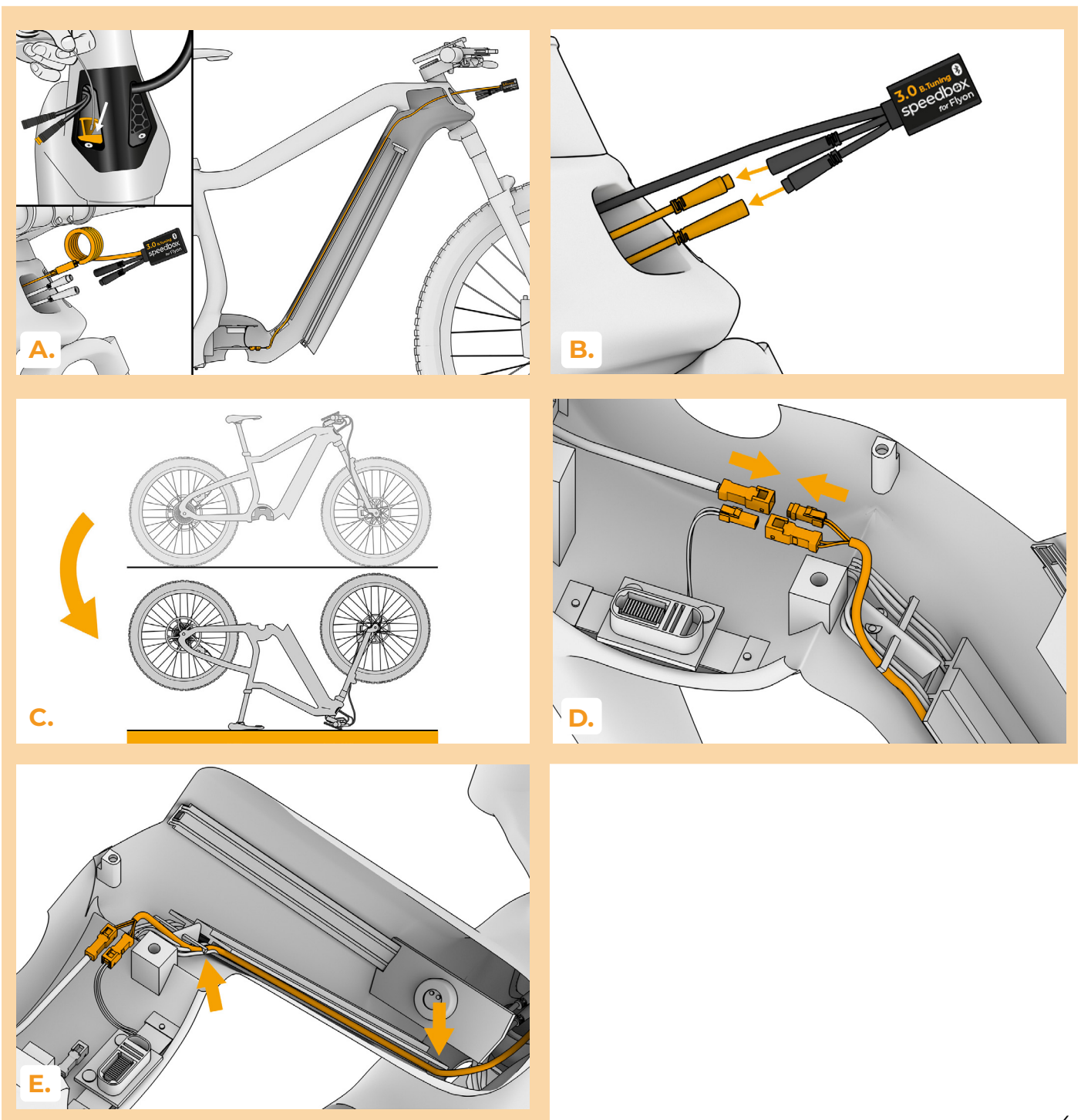
STEP 3: Disconnecting the connectors from the motor

- A.** Using the precision slotted screwdriver, disconnect the connectors located in the frame under the motor - those into which two wires lead from each side - black (BK) and red (RD) on one side and black (BK) and brown (BR) on the other one.
- B.** Turn the e-bike back on the tires.
- C.** Unscrew the screw holding the plastic cable inlet cover with the hex key H2 and pull it out. Then remove the rubber cable inlet cover as the figure shows.
- D.** Disconnect the connectors leading from the display to the frame (1). Put the disconnected connectors (2) back into the frame. Pull the connectors (3) through the hole after the removed plastic inlet cover in step 3c.



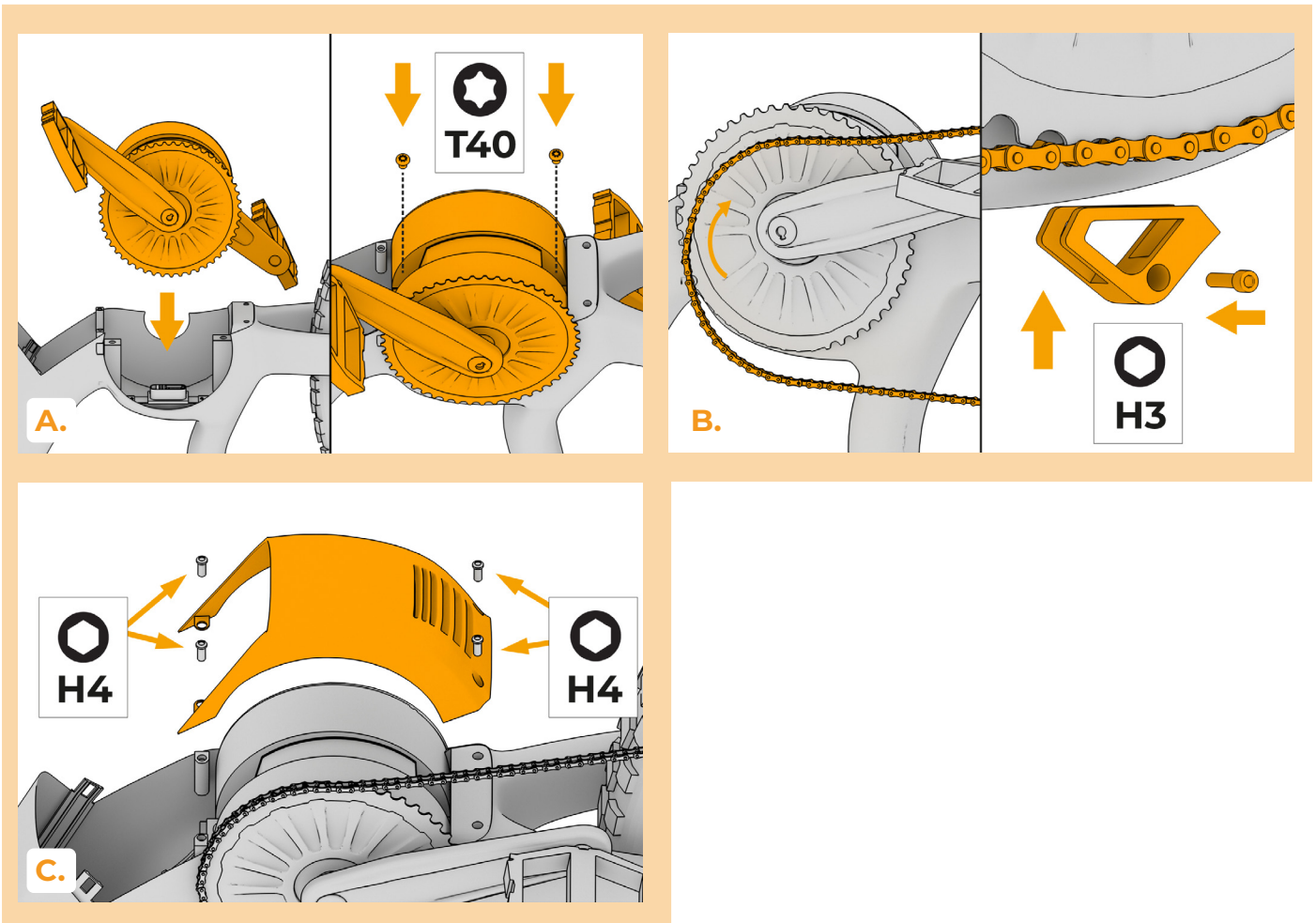
STEP 4: SpeedBox tuning installation

- A.** Use a steel cable to pull the cable through as shown in the figure. The cable must run along the top wall of the frame tube.
- B.** Connect the connectors as the figure shows.
- C.** Turn the e-bike upside down.
- D.** Remove the label and the plastic cover from the connectors of the cable routed through the frame, and plug them into the connectors disconnected in step 3a.
- E.** Insert the cable under the bar as the figure shows.



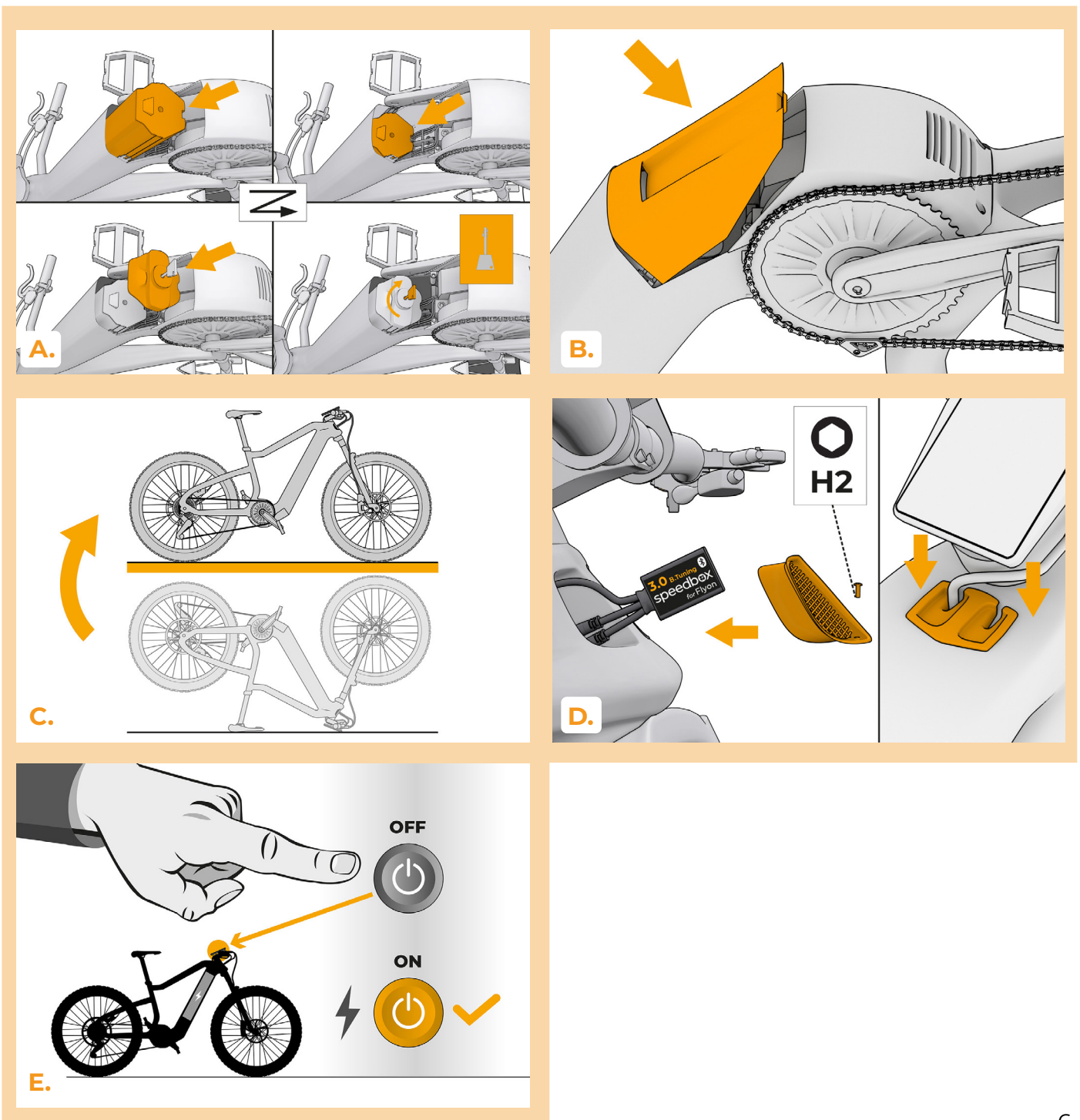
STEP 5: Motor placing

- A.** Insert the motor into the frame. CAUTION! Insert the motor perpendicularly downwards to avoid damaging the motor connector. Screw back the two screws holding the motor in the frame and tighten them with the T40 Torx screwdriver.
- B.** Fit the chain back onto the chainring and attach the chain guide with the hex key H3.
- C.** Put the plastic motor cover back in its original place and tighten the four screws with the hex key H4.



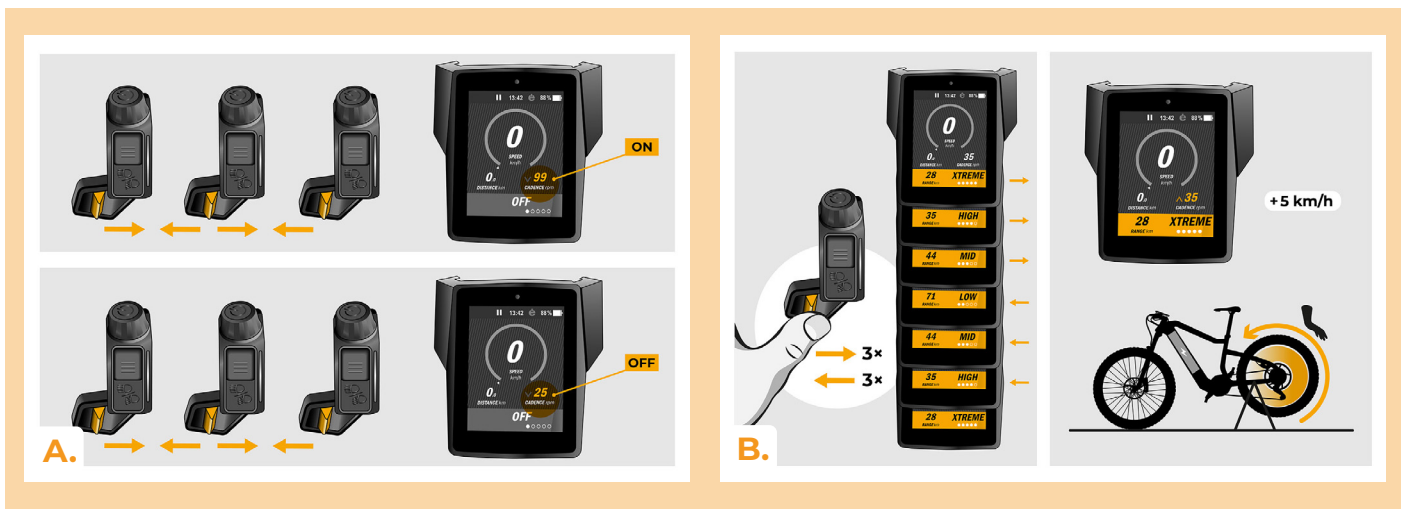
STEP 6: Battery placement

- A.** Insert and lock the battery as shown in the figure.
- B.** Place the skidplate back.
- C.** Turn the e-bike back on the tires.
- D.** Insert SpeedBox into the e-bike frame, attach the plastic inlet cover with the hex key H2, and place the rubber inlet cover back.
- E.** Turn the e-bike on.



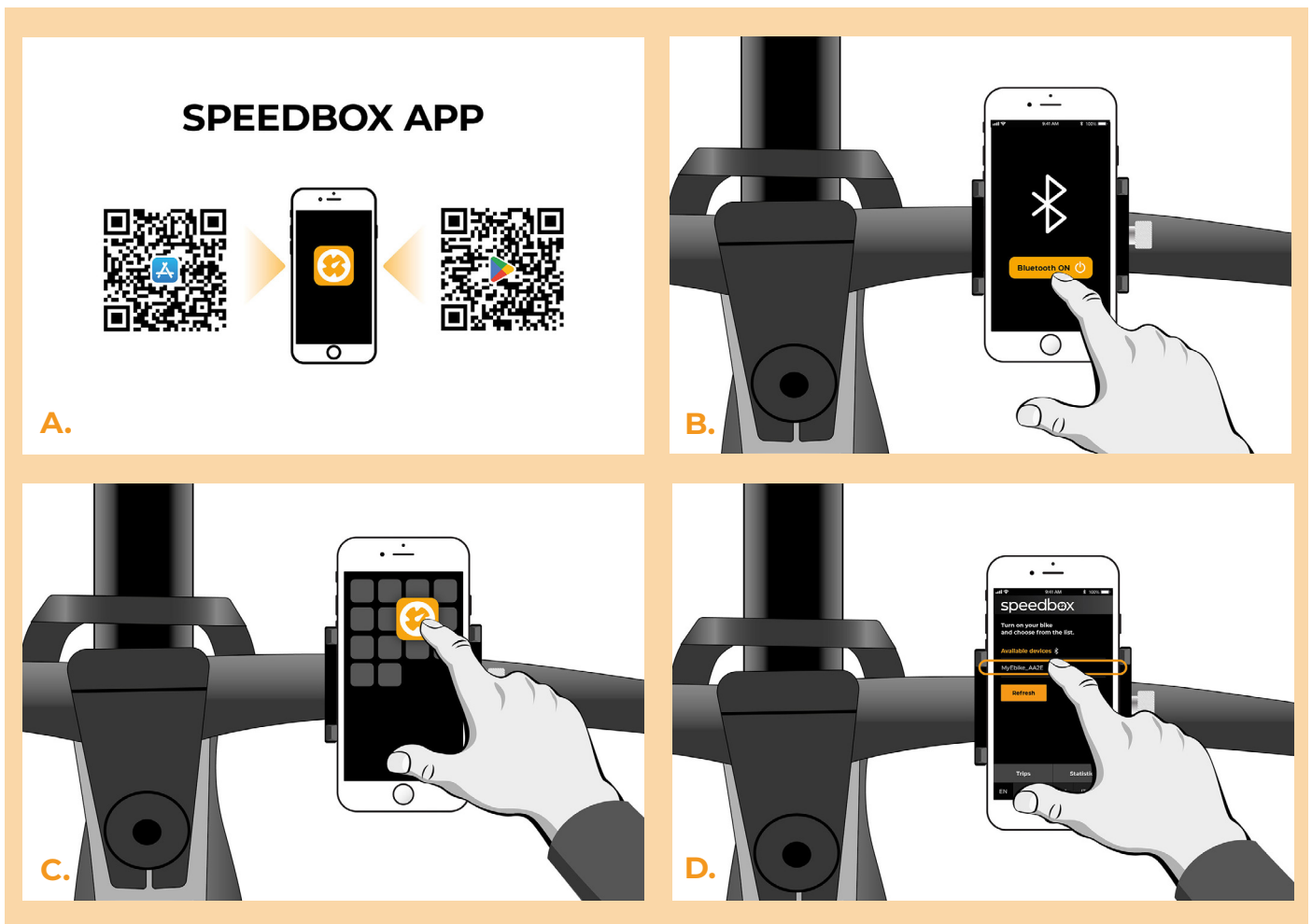
STEP 7: Tuning activation and speed limit setting

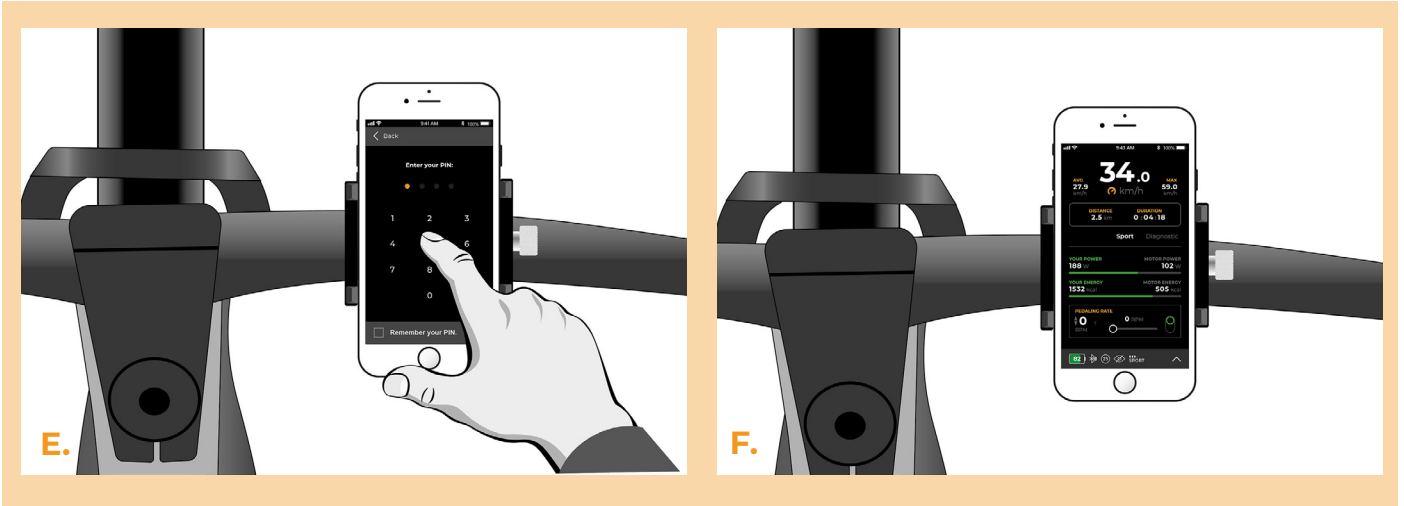
- A.** Activation/deactivation of tuning is done by switching between two different modes using the switch (B) – by pressing → ← → ←. The current speed limit will be displayed in the cadence position for a few seconds.
- B.** To set the speed limit, use the switch (B) to quickly change the modes in the following order XTREME – HIGH – MID – LOW – MID – HIGH – XTREME. The cadence position will display the speed limit in km/h. You can change the speed limit by turning the rear wheel. The last displayed limit is saved after 5 seconds of inactivity.



STEP 8: Pairing SpeedBox with the SpeedBox App

- A.** Install the SpeedBox App from Google Play or App Store.
- B.** Turn on Bluetooth on your phone.
- C.** Open the SpeedBox App. Enable location services if prompted.
- D.** Select the device MyEbike_XXXX. If you do not see it in the list, click on the “Refresh” button and, if necessary, make sure that:
 1. Your e-bike is switched on.
 2. You are not further than 5 m from your e-bike.
 3. You have Bluetooth turned on on your mobile phone.
 4. You have enabled location services for the SpeedBox App.
- E.** Choose and confirm your PIN and service password.
- F.** Now you can fully enjoy the SpeedBox App (control tuning, monitor riding data, and information about motor performance and energy consumption, you can set the speed limit, etc.).





www.speedbox-tuning.com

Ebike Electronic s.r.o.

Rybna 716/24 | 110 00 Praha 1 | Czech Republic | ID: 05553555 | VAT: CZ05553555



