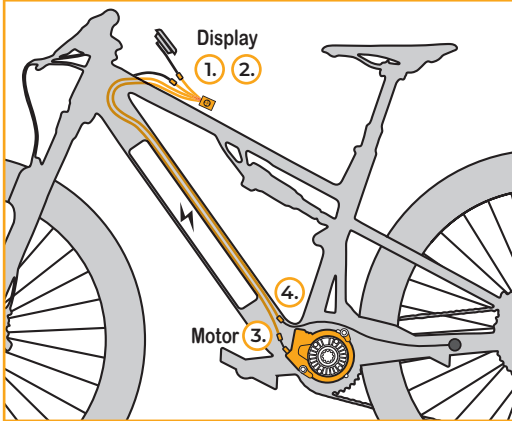


Installation Instructions

SpeedBox 3.1 B.Tuning for TQ



A



Display

1. 2.

Motor

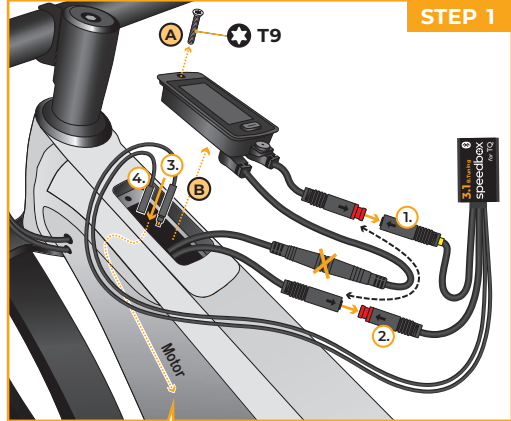
4.

3.

- ▶ TQ HPR50
- ▶ TQ HPR60

3.1 B.Tuning
speedbox
for TQ

- 1.
- 2.
- 3.
- 4.

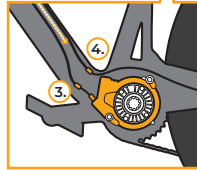


STEP 1

A

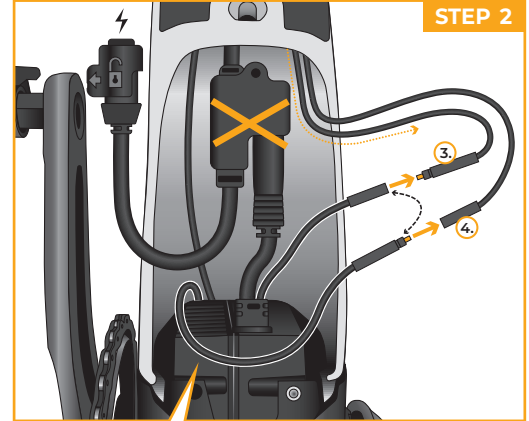
T9

Motor

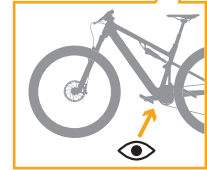


4.

3.

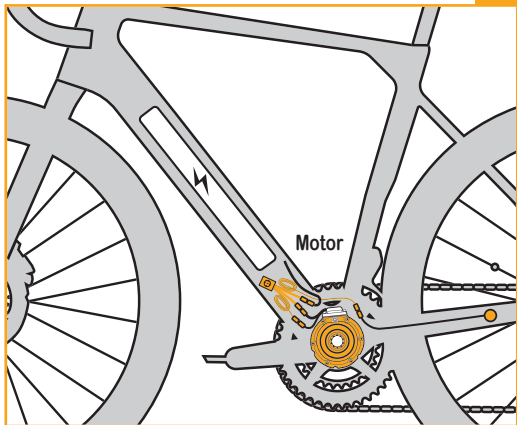


STEP 2





B



► TQ HPR40

