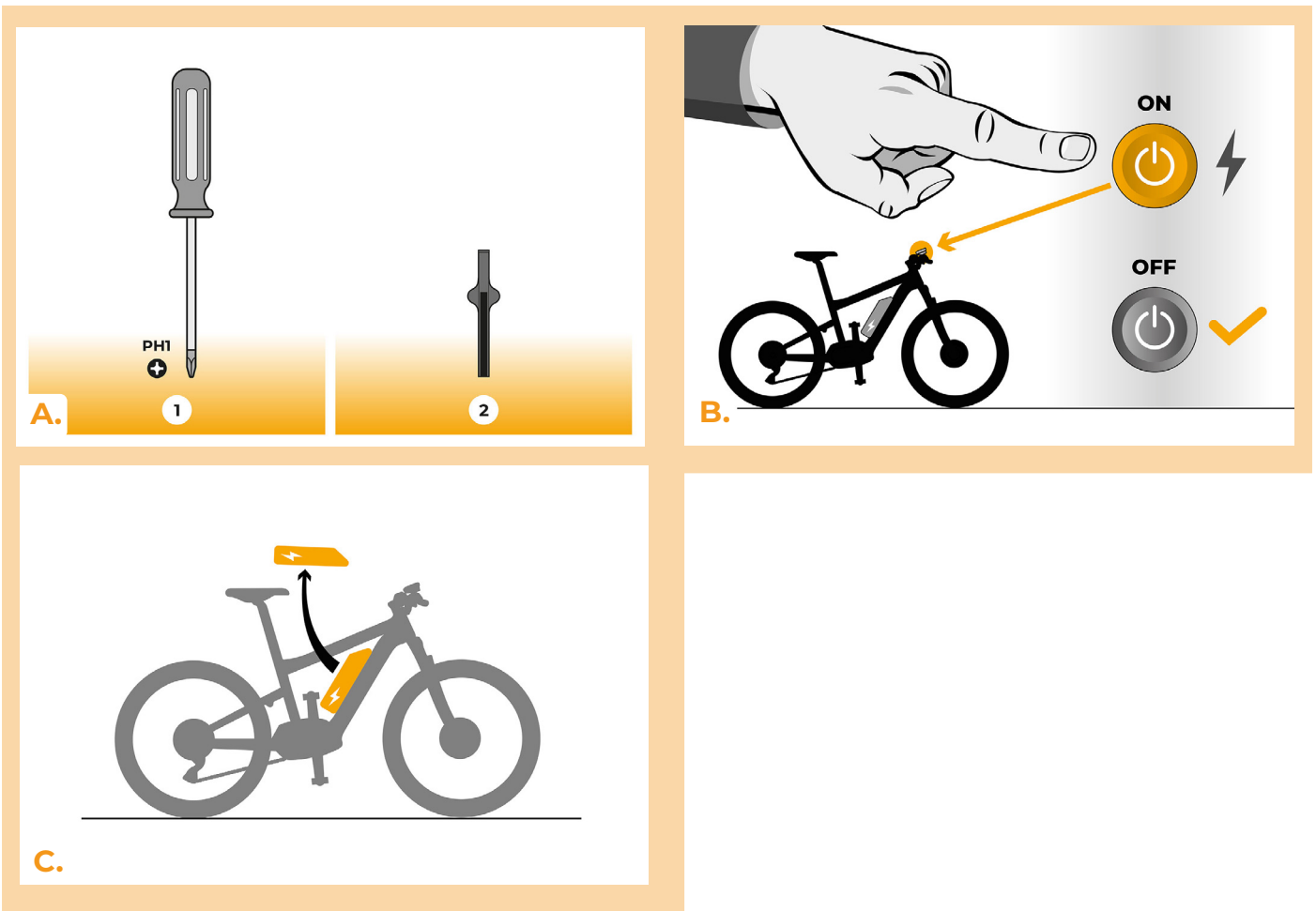


SpeedBox 1.2 for Shimano + ETP

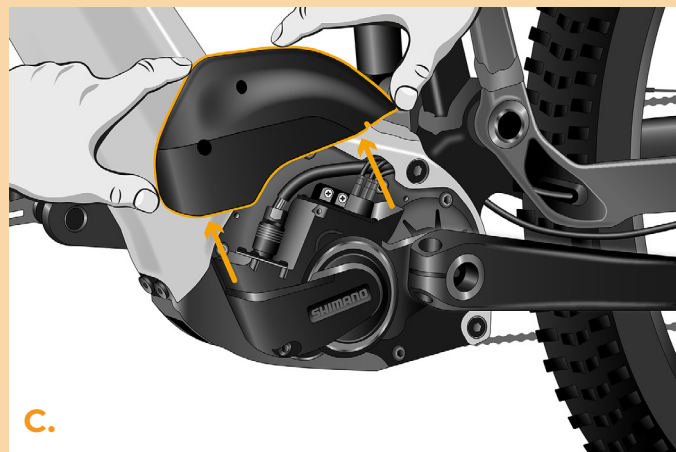
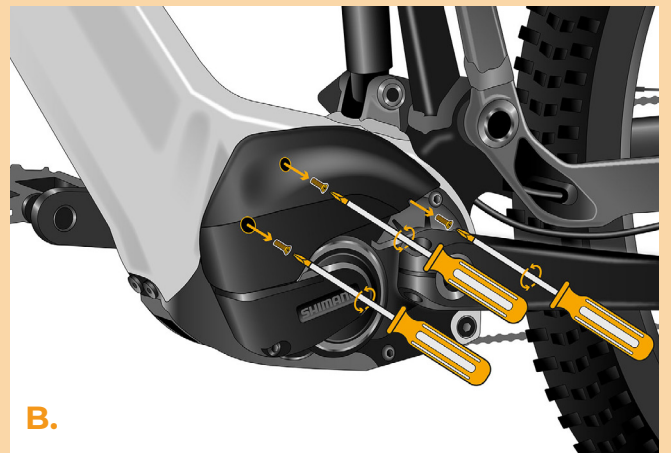
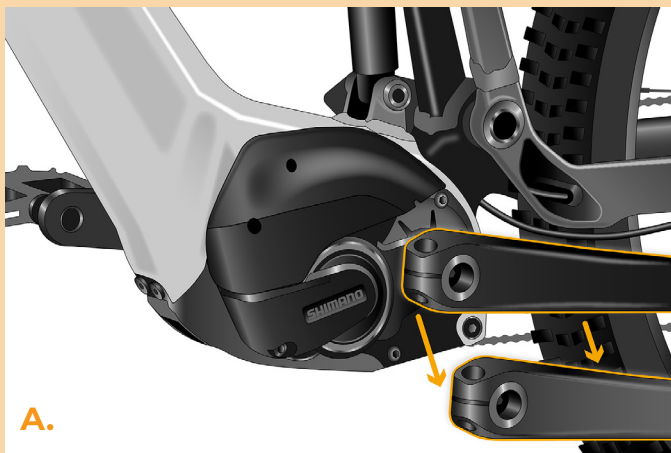
STEP 1: Preparation for installaion

- A.** Prepare the following tools:
 1. Phillips screwdriver PH1
 2. Connector manipulation tool (included in the SpeedBox package)
- B.** Turn off the e-bike.
- C.** Remove the battery from the e-bike according to the manufacturer's manual.



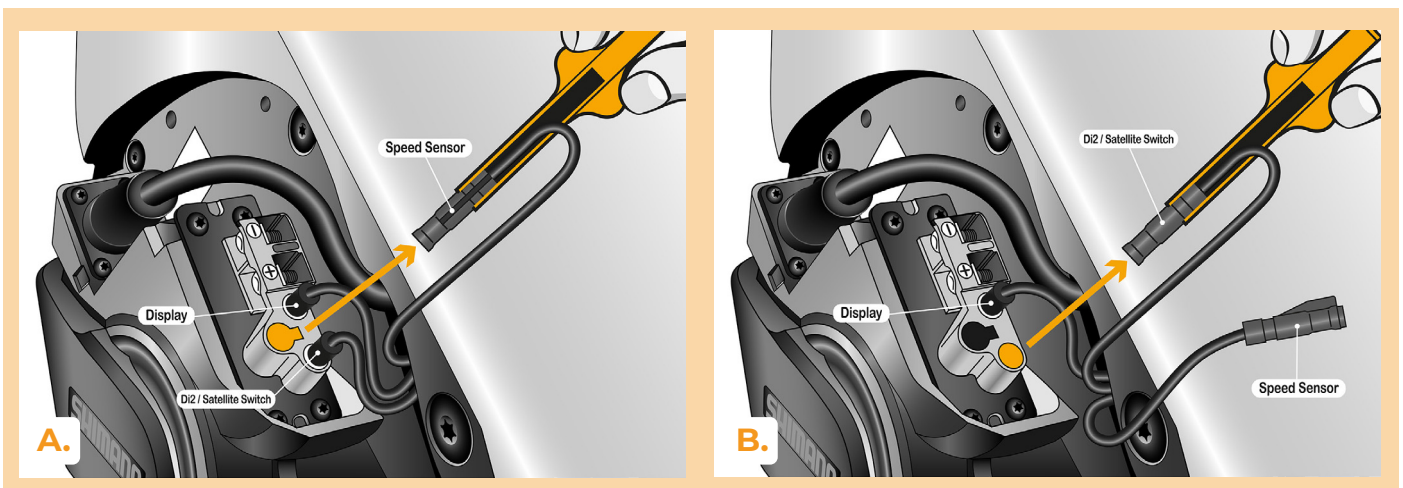
STEP 2: Crank removal

- A.** If the crank interferes with the removal of the plastic motor cover, it must be dismantled according to the manufacturer's manual.
- B.** Unscrew the screws holding the motor cover with the Phillips screwdriver PH1.
- C.** Remove the motor cover.



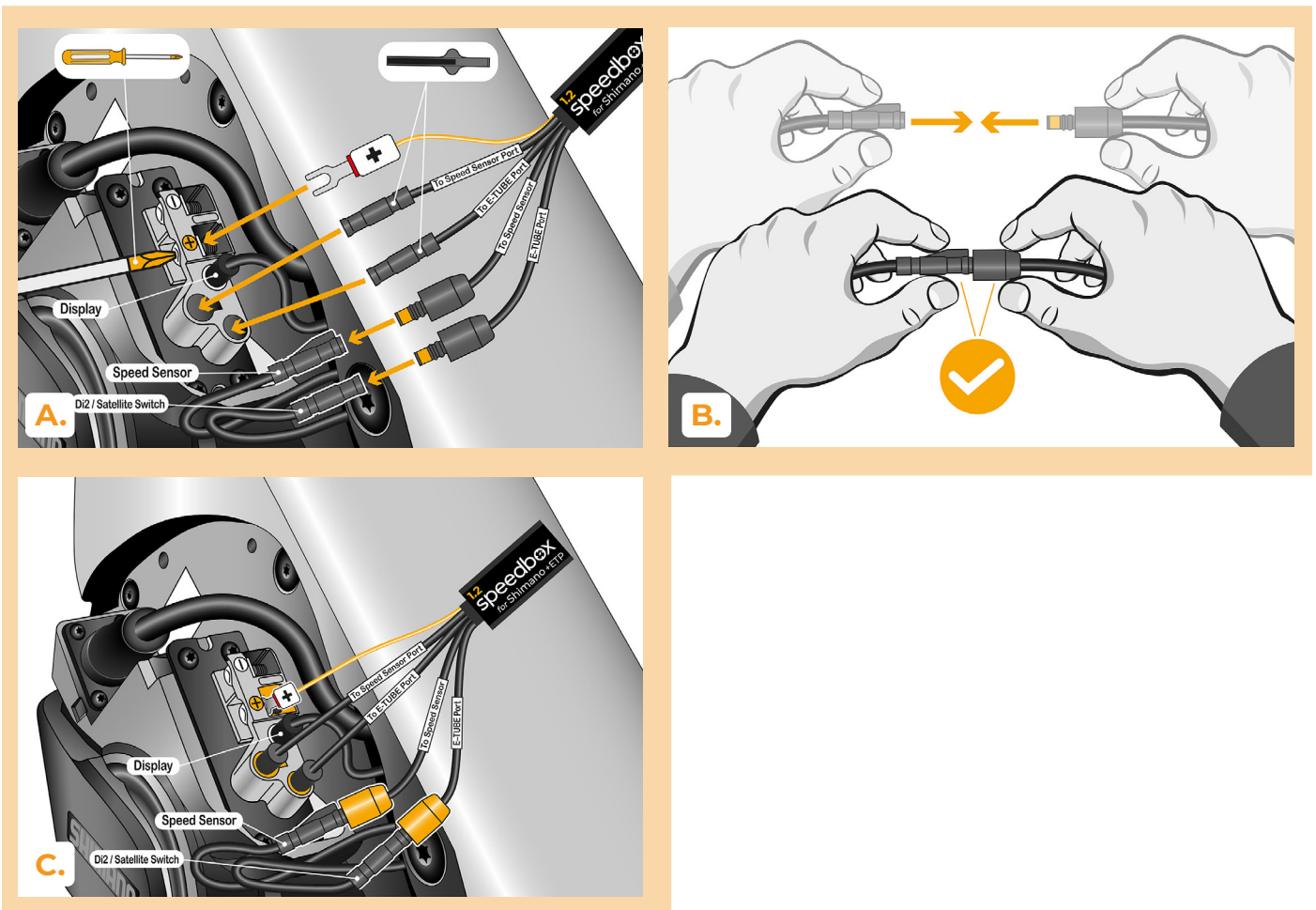
STEP 3: Disconnecting the connectors from the motor

- A. Using the connector manipulation tool, unplug the speed sensor connector from the motor. The connector can be distinguished from the others by a lock.
- B. Unplug the additional device connector (Di2/Satellite Switch) in the same manner.



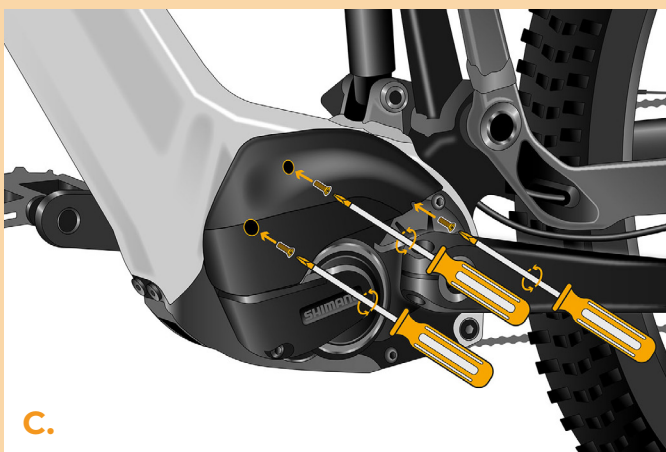
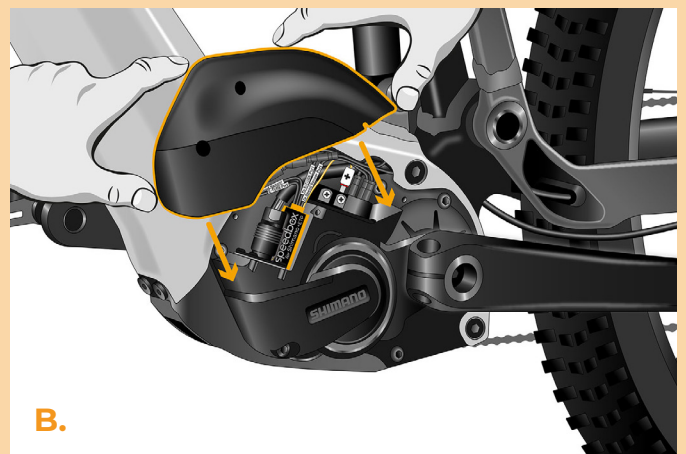
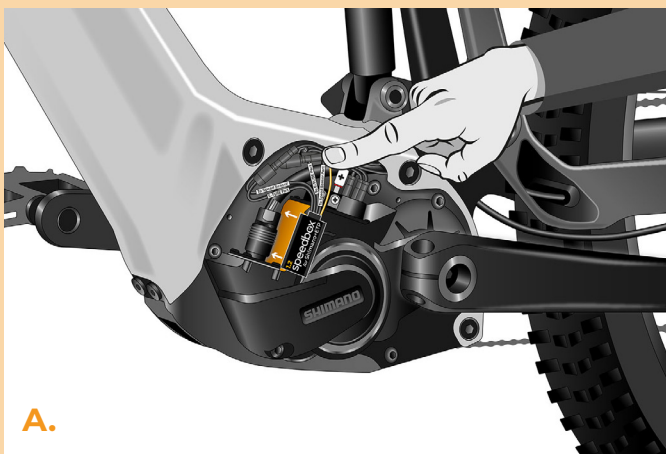
STEP 4: SpeedBox tuning installation

- A.** Using the connector manipulation tool, plug SpeedBox into the disconnected connectors (step 3).
- B.** Make sure that the locks on the connectors are seated properly, you should hear a click.
- C.** Before assembling the motor, check the correct wiring as shown in the figure.



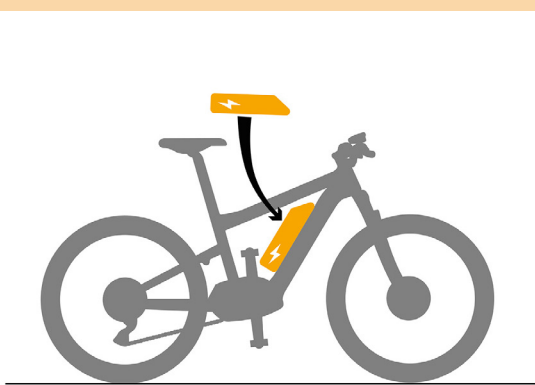
STEP 5: Motor placing

- A.** Place the connectors and wiring leading from the motor back into the free space in the e-bike frame.
- B.** Place the motor cover back to its original position.
- C.** Using the Phillips screwdriver PH1, attach the motor cover with screws. If the crank was removed in Step 2, install it back.

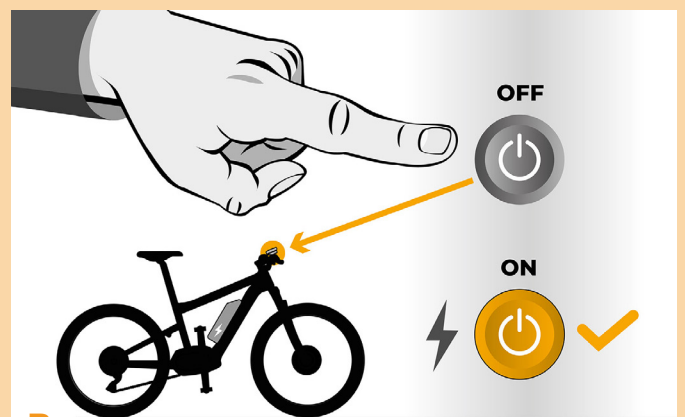


STEP 6: Tuning function check

- A. Place the battery back into the e-bike.
- B. Turn the e-bike on.
- C. SpeedBox is activated and the speed limiter is deactivated. If you have the lights function activated, you can switch off tuning by switching on the lights.
- D. Spin the rear wheel and make sure the rear wheel speed is shown on the e-bike display.



A.



B.



C.



D.



www.speedbox-tuning.com

Ebike Electronic s.r.o.

Rybna 716/24 | 110 00 Praha 1 | Czech Republic | ID: 05553555 | VAT: CZ05553555

