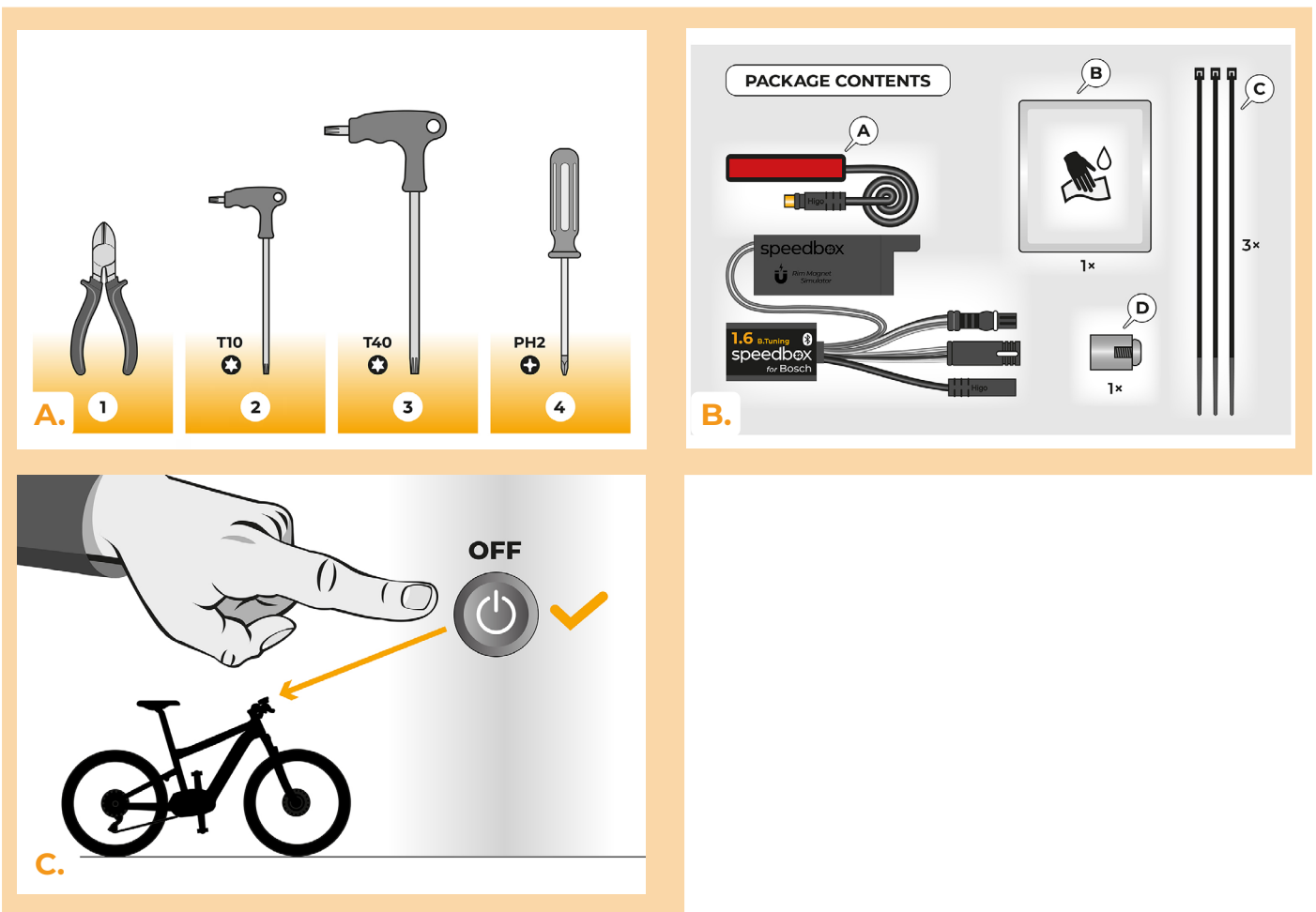


SpeedBox 1.6 B.Tuning for Bosch

STEP 1: Preparation for installation

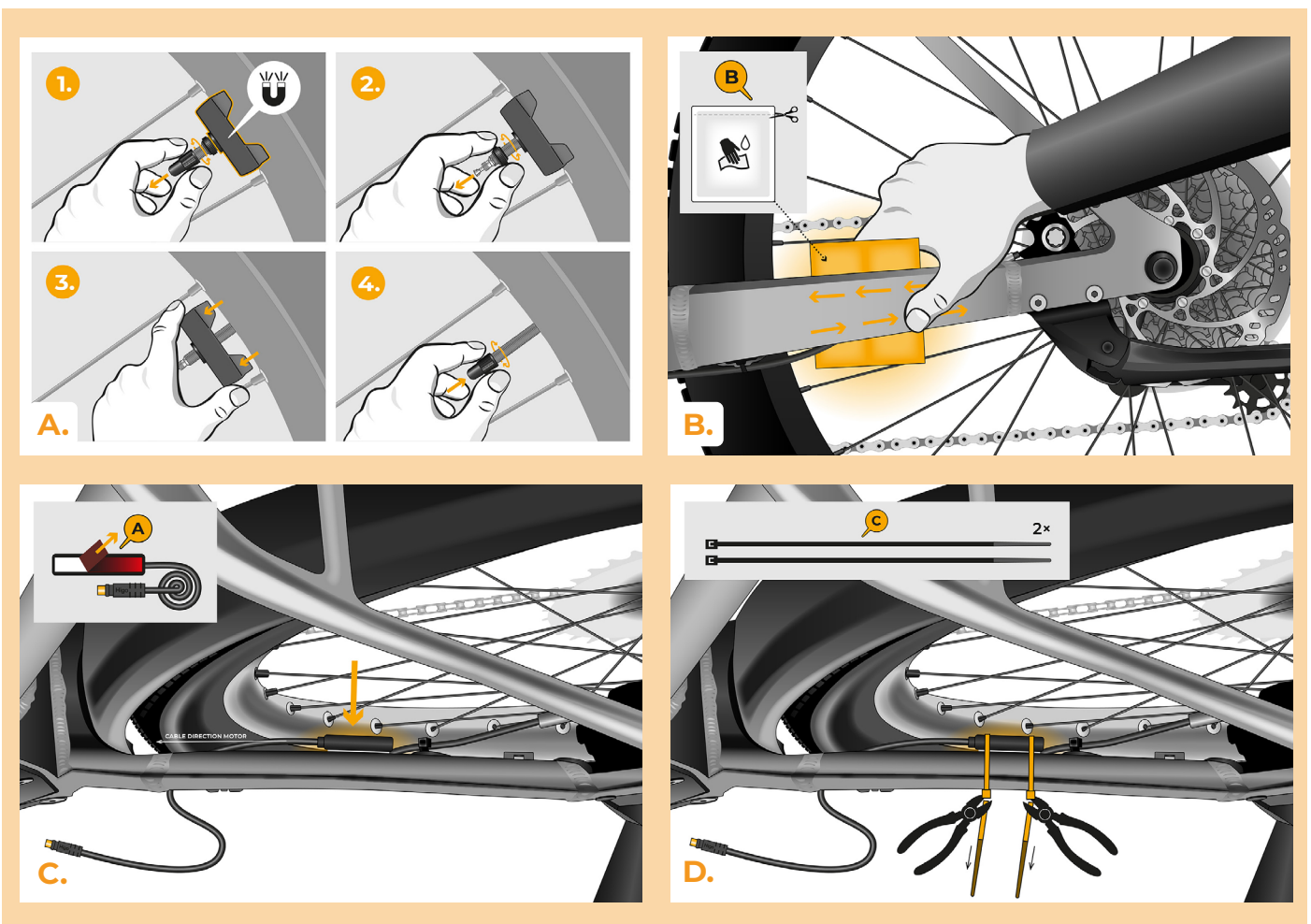
We recommend using bike repair stand during tuning installation.

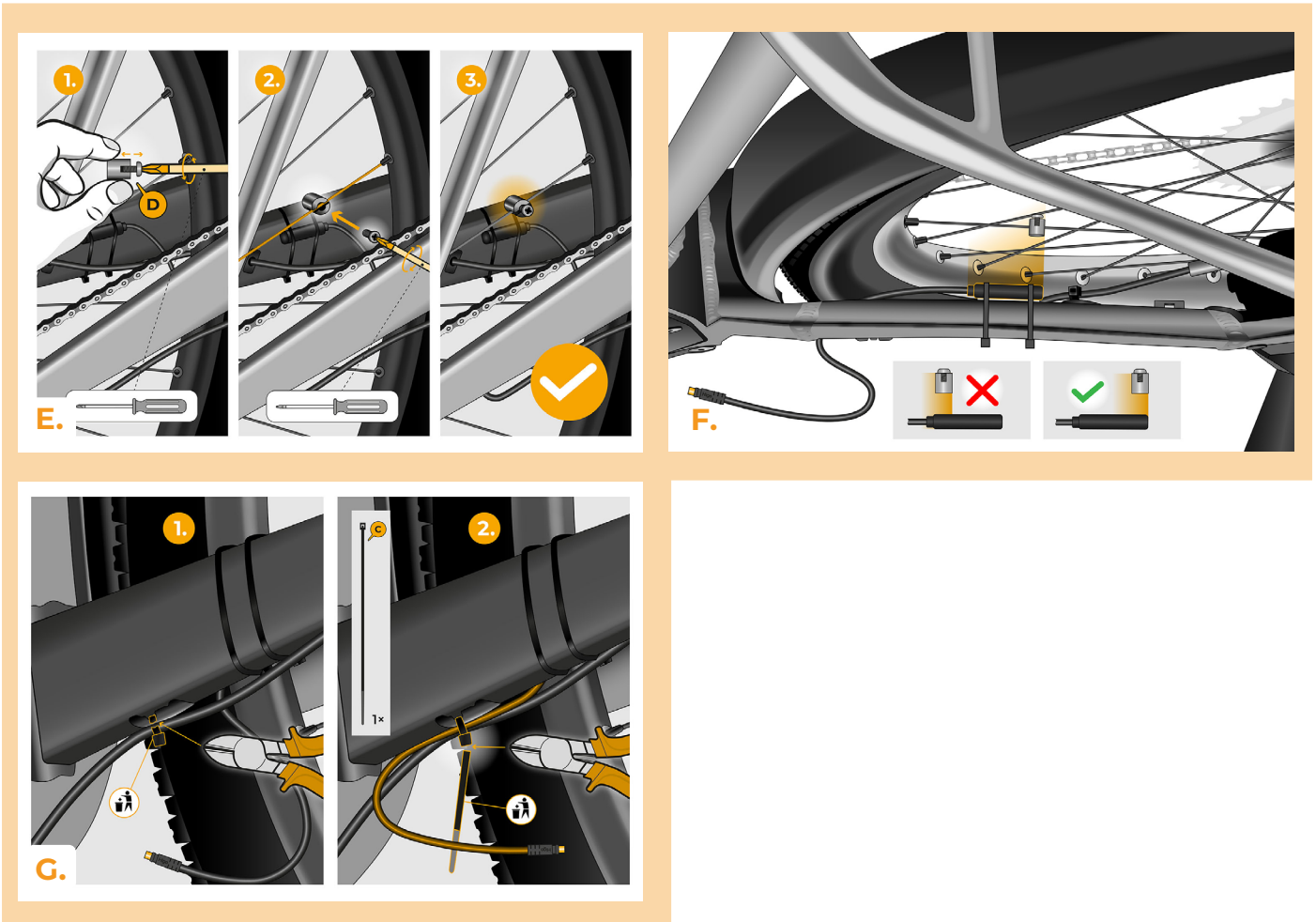
- A.** Prepare the following tools:
(tools may vary depending on the type of e-bike)
1. Cutting Pliers
 2. Hex key H3
 3. Torx screwdriver T40
 4. Cross-head screwdriver PH2
- B.** Check the contents of the package according to the picture.
- C.** Turn off the e-bike.



STEP 2: Rim Magnet removal and installation of the speed sensor

- A.** Remove the original Rim Magnet from the rear wheel valve. Keep it for the reinstallation (step 13).
- B.** Clean the inner side of the chainstay with a wet wipe (B).
- C.** Using double-sided tape, attach the speed sensor cable (A) to the cleaned inner side of the chainstay. The other end of the cable with the connector should point towards the motor.
- D.** Fix the speed sensor (A) firmly with two plastic tightening tapes (C). Trim off any overhanging remnants of the tape with side cutting pliers.
- E.** Using the Phillips screwdriver PH2, attach the magnet (D) to one of the spokes of the rear wheel. Place the magnet with the smooth side facing the end of the speed sensor.
- F.** Check the position of the speed sensor and the magnet relative to each other.
- G.** Secure the speed sensor with a plastic tightening tape (C) to the inner side of the chainstay, closer to the motor, to prevent any unwanted contact of the cable with the rotating rear wheel. Trim off any overhanging remnants of the tape with side cutting pliers.

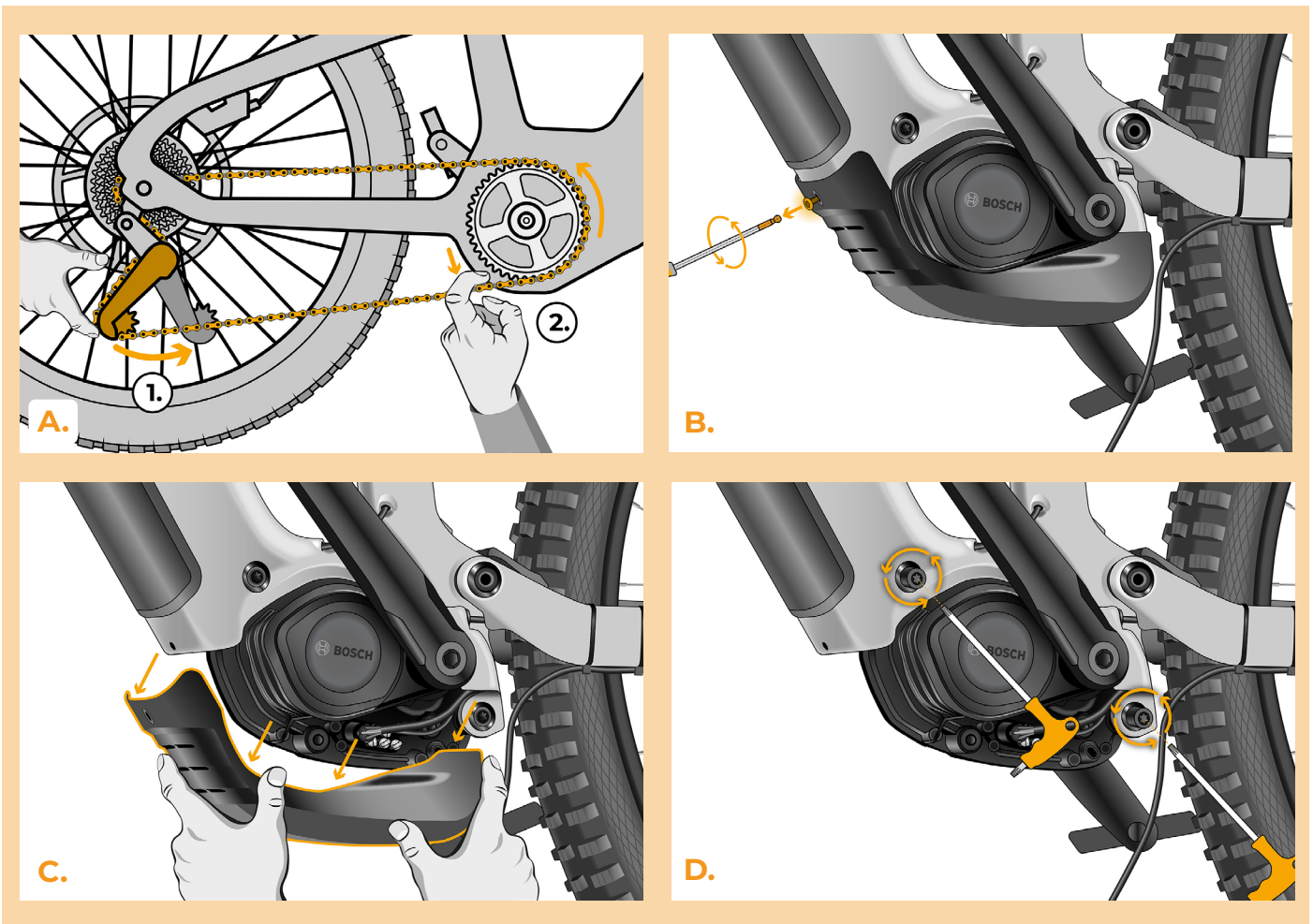


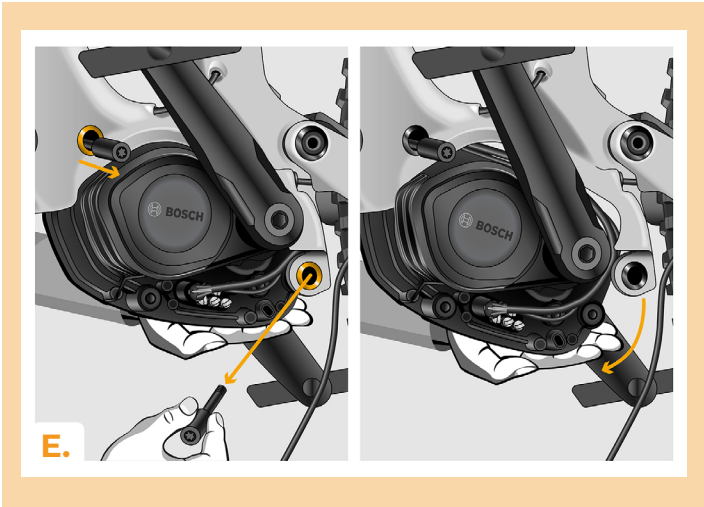


STEP 3: Disassembly of the motor and motor cover from the bike frame

The process of removing the motor cover may differ depending on the e-bike design.

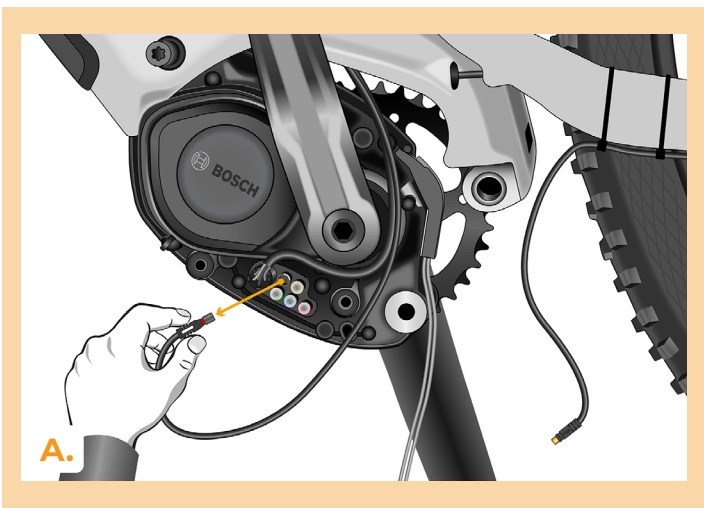
- A.** Remove the chain.
- B.** Use the H3 hex key to unscrew the motor cover.
- C.** Remove the motor cover.
- D.** Use the T40 Torx screwdriver to loosen the two screws that hold the motor in the bike frame.
- E.** Hold the motor from below with your hand to prevent it from falling out of the frame. Partially pull out the upper screw, fully remove the lower one from the frame, and carefully tilt the motor out.





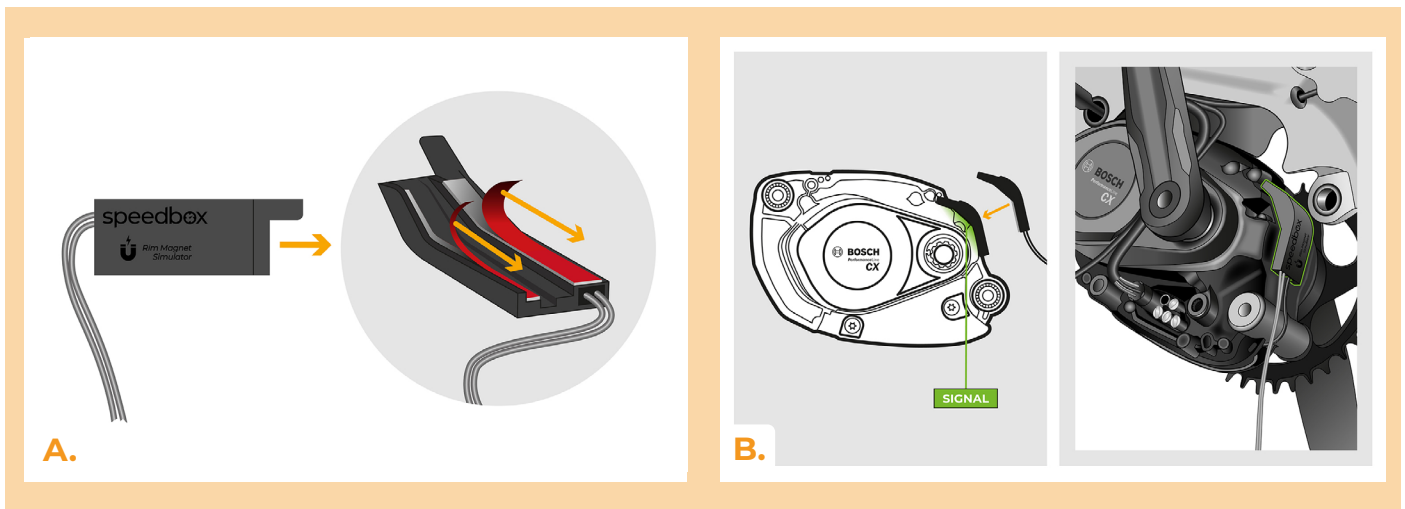
STEP 4: Disconnecting the connector from the motor

- A. Disconnect the display cable from the motor.



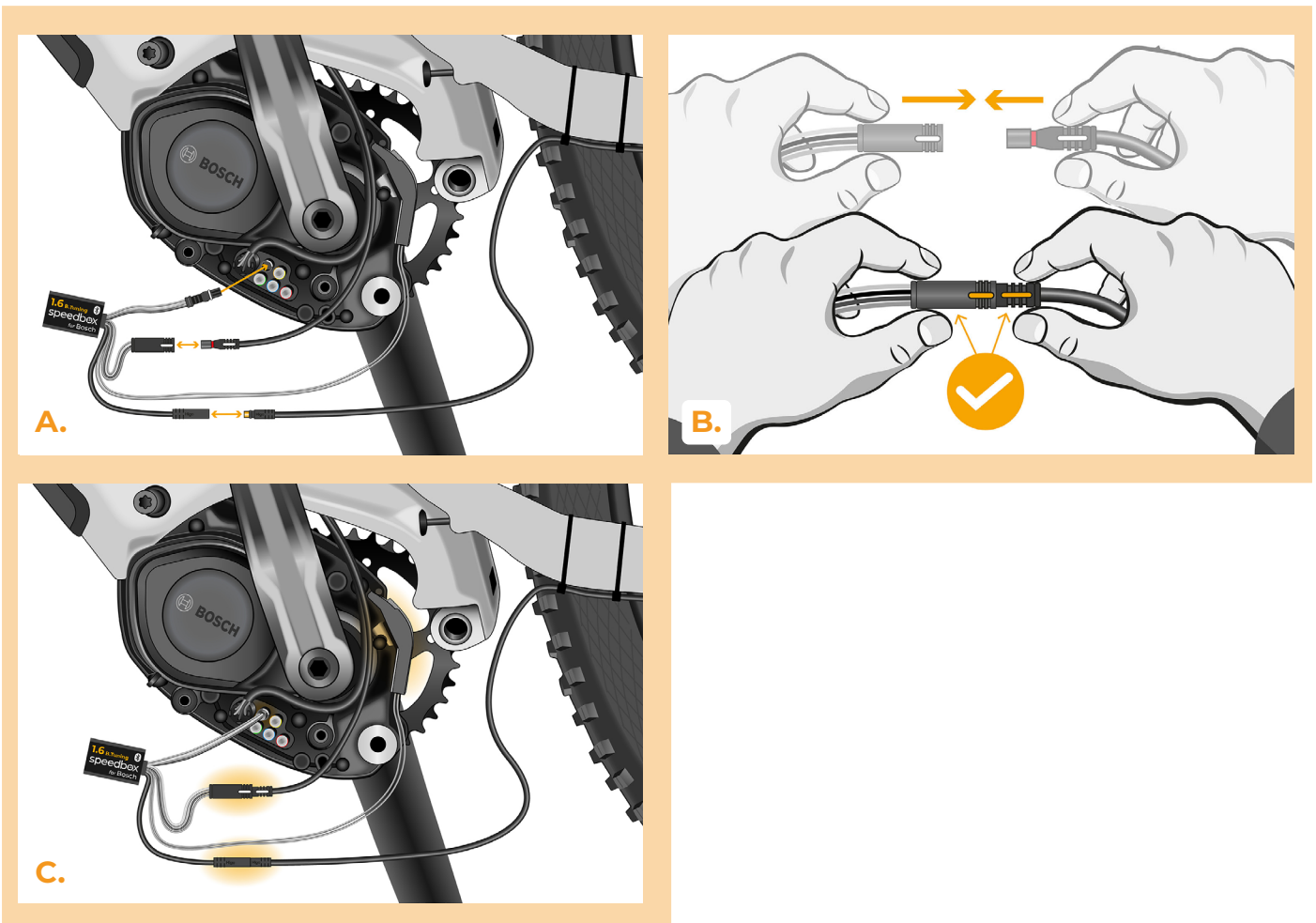
STEP 5: Attaching the Rim Magnet Simulator to the motor

- A.** Remove the protective backing from the double-sided adhesive tape on the Rim Magnet Simulator.
- B.** Attach the Rim Magnet Simulator to the designated spot on the motor using the double-sided tape.



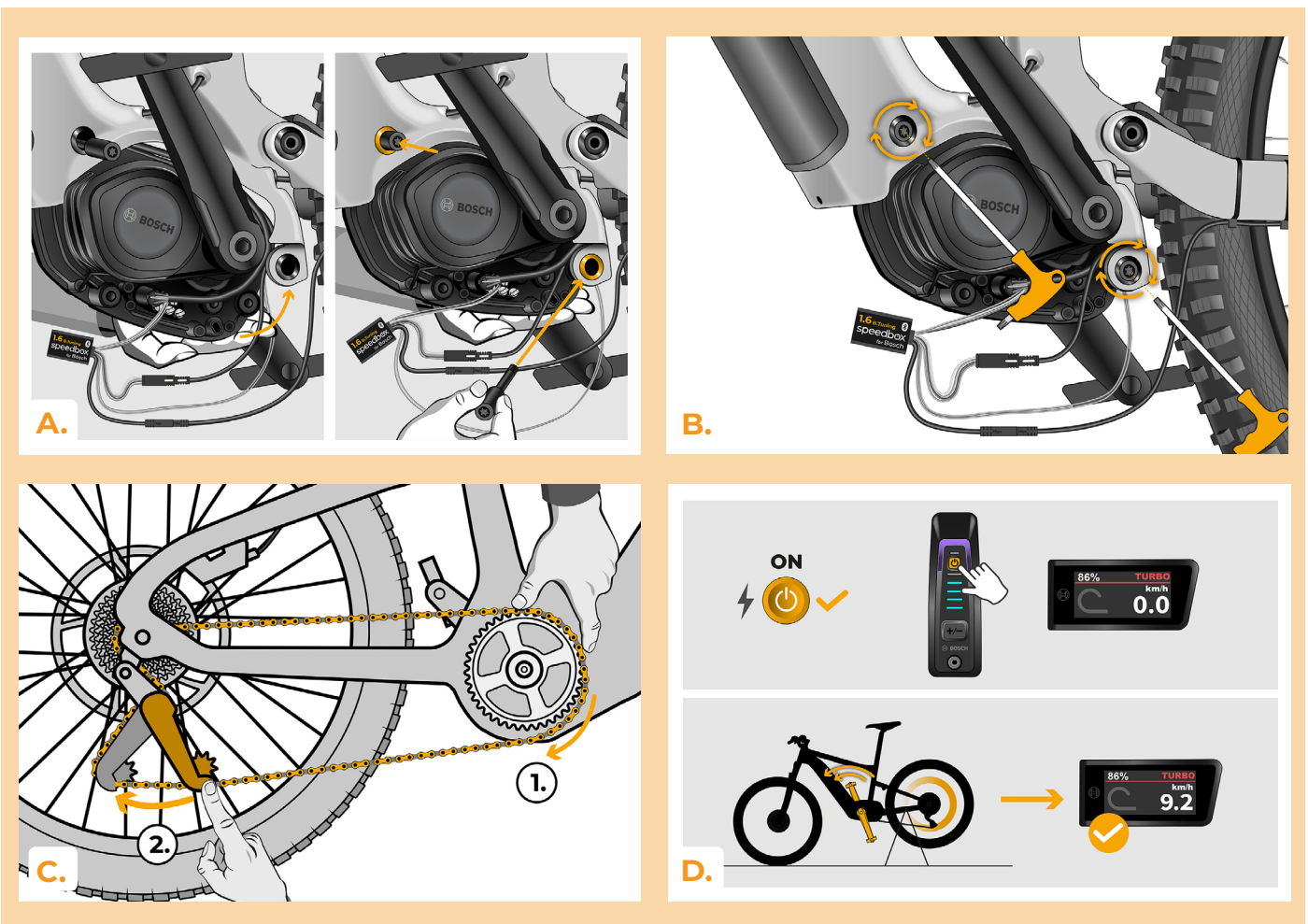
STEP 6: SpeedBox tuning installation

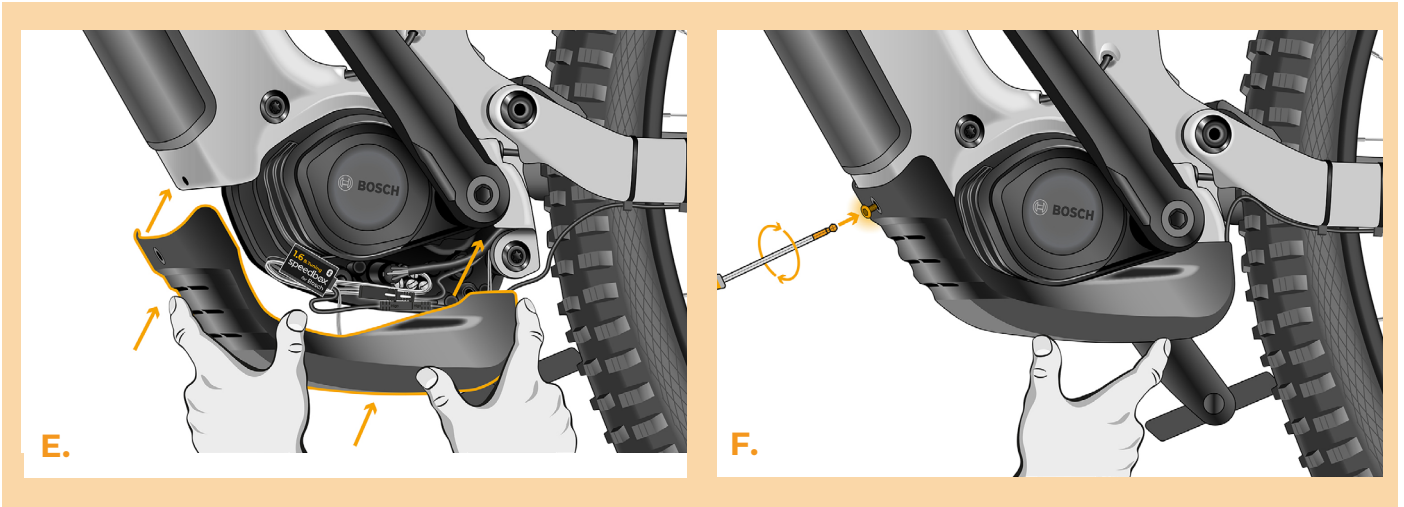
- A.** Connect the SpeedBox Tuning cable to the motor, replacing the original display cable. Then, plug the display cable into the largest connector on the SpeedBox Tuning device. Finally, connect the speed sensor cable.
- B.** Make sure that the locks on the connector are seated properly.
- C.** Check the correct wiring as shown in the figure.



STEP 7: Reinstalling the motor into the e-bike frame and attaching the motor cover

- A.** Place the motor with the Rim Magnet Simulator back into the e-bike frame and insert the fastening screw.
- B.** Use the T40 Torx screwdriver to fasten both screws that hold the motor in the frame.
- C.** Reinstall the chain onto the chainring.
- D.** Check the functionality of the SpeedBox Tuning device.
- E.** Fit the SpeedBox and all connectors and wires leading from the motor into the free space in the motor.
- F.** Place the motor cover back in its original position and secure it with the screw using the H3 hex key.





STEP 8: Tuning function check

- A. Turn the e-bike on.
- B. **Note:** This step may not apply to all types of displays. When activating for the first time, go to the display settings and check the wheel circumference: "Settings" > "My eBike" > "Wheel circumference". Then return to the home screen.
- C. Activate/deactivate tuning by brief activation of the WALK function or by switching between two assistance modes twice (- + - +). The value of 3.5 or 2.5 indicating the maximum speed in km/h will be displayed. Warning: Activate/deactivate the tuning before the ride (when the e-bike is standing still), not during riding.

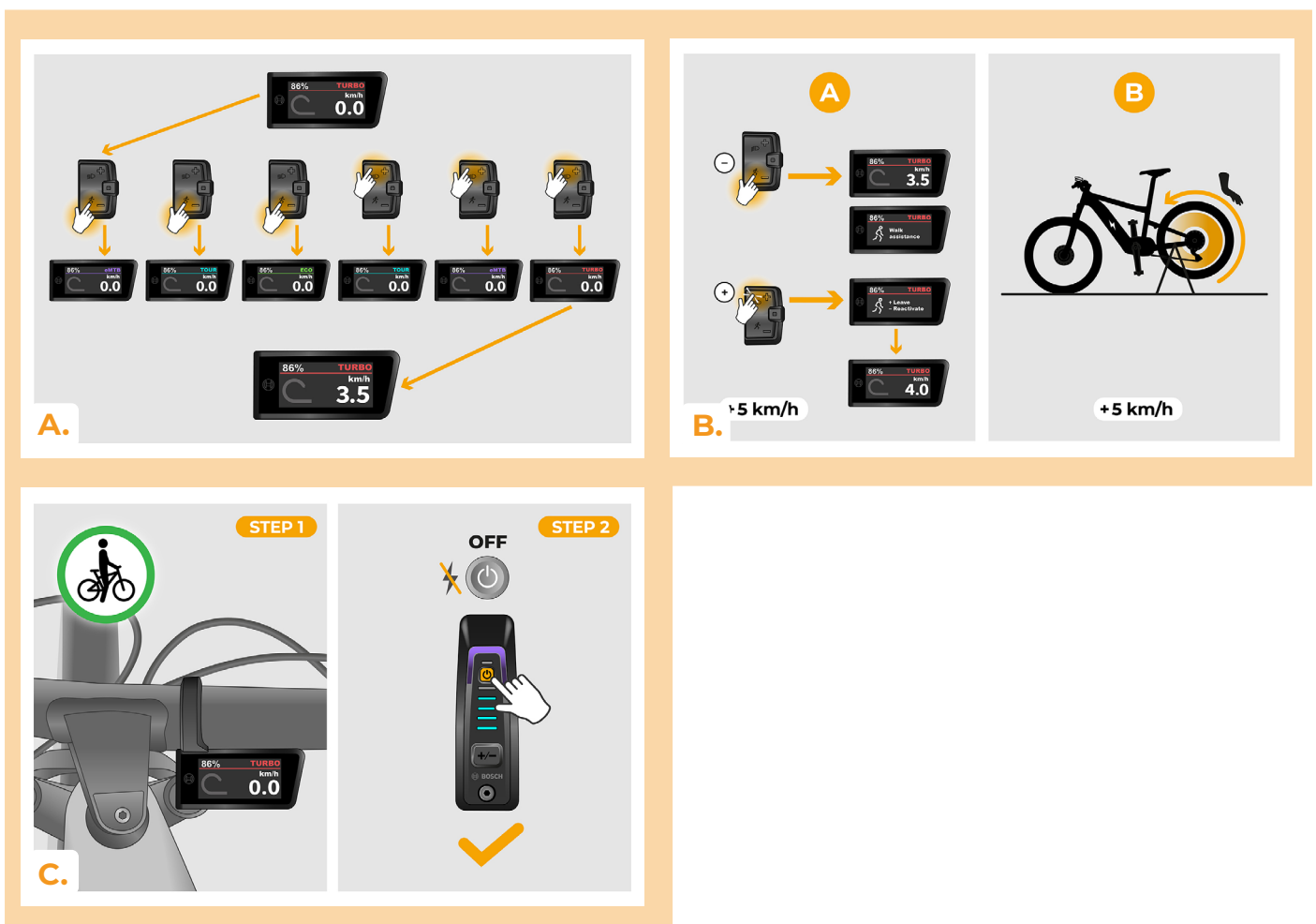
A. Turn the e-bike on. The display shows 86% TURBO 0.0 km/h.

B. Check the wheel circumference in the settings menu. The display shows 86% TURBO 09:21 Settings.

C. Activate/deactivate tuning by brief activation of the WALK function or by switching between two assistance modes twice (- + - +). The value of 3.5 or 2.5 indicating the maximum speed in km/h will be displayed. Warning: Activate/deactivate the tuning before the ride (when the e-bike is standing still), not during riding.

STEP 9: Setting the speed limit

- A.** You can set the maximum speed limit by changing modes from TURBO to eMTB - TOUR+ - ECO - TOUR+ - EMTB - TURBO (- - - + + +). An actual speed limit will be displayed after that.
- B.** **The maximum speed can be changed** by activating/deactivating the WALK assist function (in this case by pressing „-“ and „+“) or by turning the rear wheel 360°. The last displayed limit will be saved after 15 seconds of inactivity.
- C.** To prevent tuning detection on your e-bike, it is necessary to leave the e-bike on after finishing the ride until a value of 0.0 km/h is displayed.



STEP 10: Deactivation and reassembly of Rim Magnet on the wheel valve

- A.** In case you want to reinstall the original Rim Magnet, first deactivate the SpeedBox by switching the modes from TURBO to eMTB – TOUR – ECO – TOUR – ECO – OFF (--- + --). The display will show a speed of 12.0 km/h. Turn off the e-bike and return the original Rim Magnet to the rear wheel valve. Then turn on the e-bike and take a short ride. While riding, change gears until the real speed is shown on the display.
- B.** To reactivate SpeedBox, uninstall the Rim Magnet and then switch the modes again from TURBO to eMTB – TOUR – ECO – TOUR – ECO – OFF (--- + --). The display will show a speed of 11.0 km/h which indicates that SpeedBox is activated again.

STEP 1 OFF SPEEDBOX

STEP 2 RETURN ORIGINAL RIM MAGNET

A.

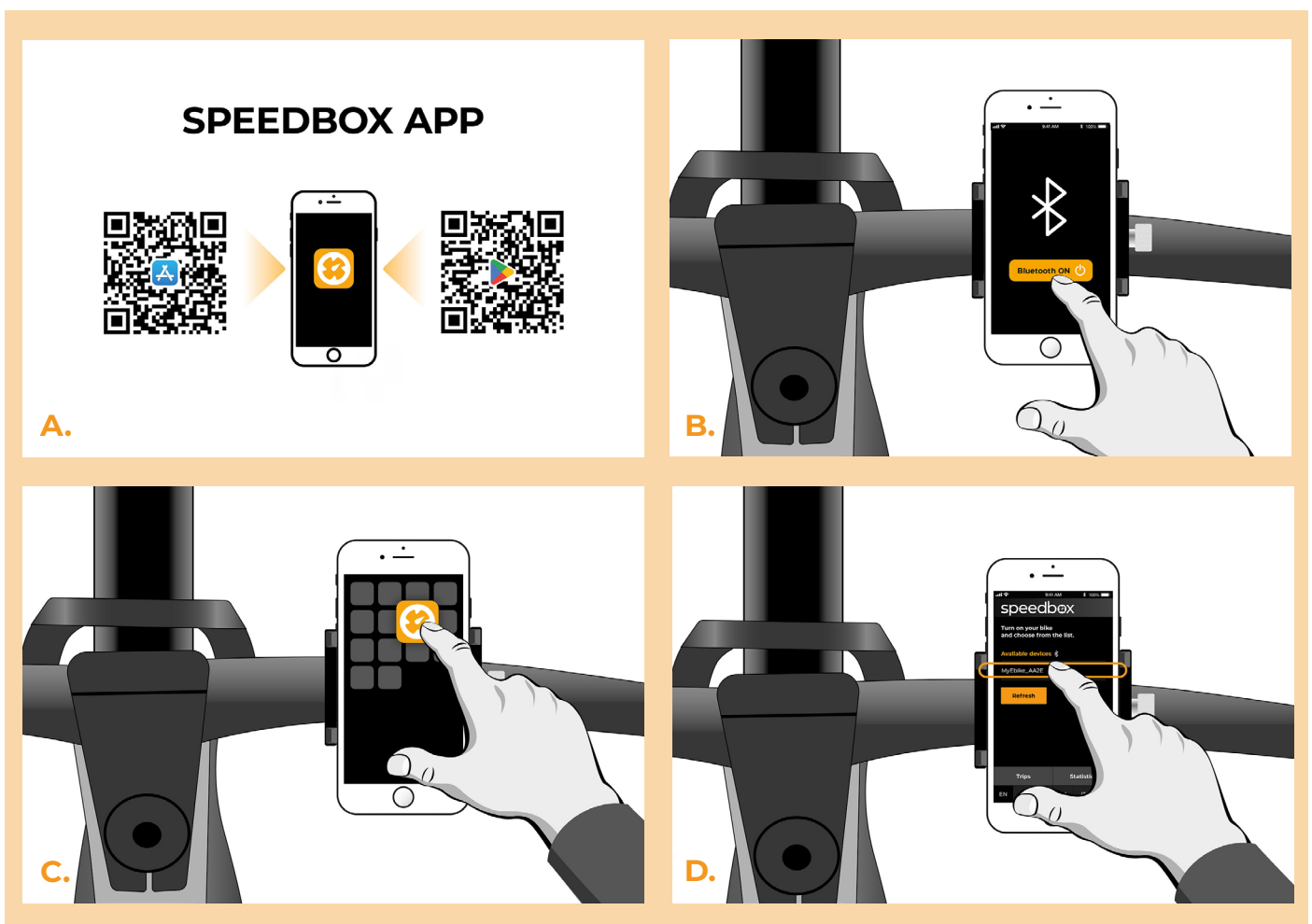
STEP 1 UNINSTALL ORIGINAL RIM MAGNET

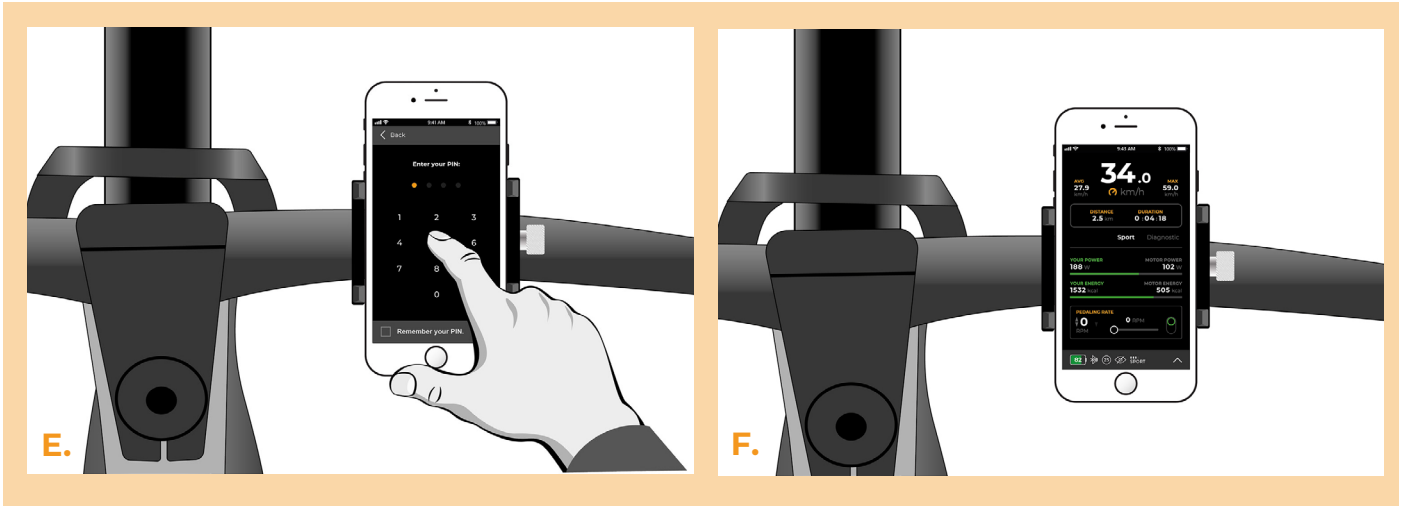
STEP 2 ON SPEEDBOX

B.

STEP 11: Pairing SpeedBox with the SpeedBox App

- A.** Install the SpeedBox App from Google Play or App Store.
- B.** Turn on Bluetooth on your phone.
- C.** Open the SpeedBox App. Enable location services if prompted.
- D.** Select the device MyEbike_xxxx. If you do not see it in the list, click on the “Refresh” button and, if necessary, make sure that:
 1. Your e-bike is switched on.
 2. You are not further than 5 m from your e-bike.
 3. You have Bluetooth turned on on your mobile phone.
 4. You have enabled location services for the SpeedBox App.
- E.** Choose and confirm your PIN and service password.
- F.** Now you can fully enjoy the SpeedBox App (control tuning, monitor riding data, and information about motor performance and energy consumption, you can set the speed limit, etc.).





www.speedbox-tuning.com

Ebike Electronic s.r.o.

Rybna 716/24 | 110 00 Praha 1 | Czech Republic | ID: 05553555 | VAT: CZ05553555

