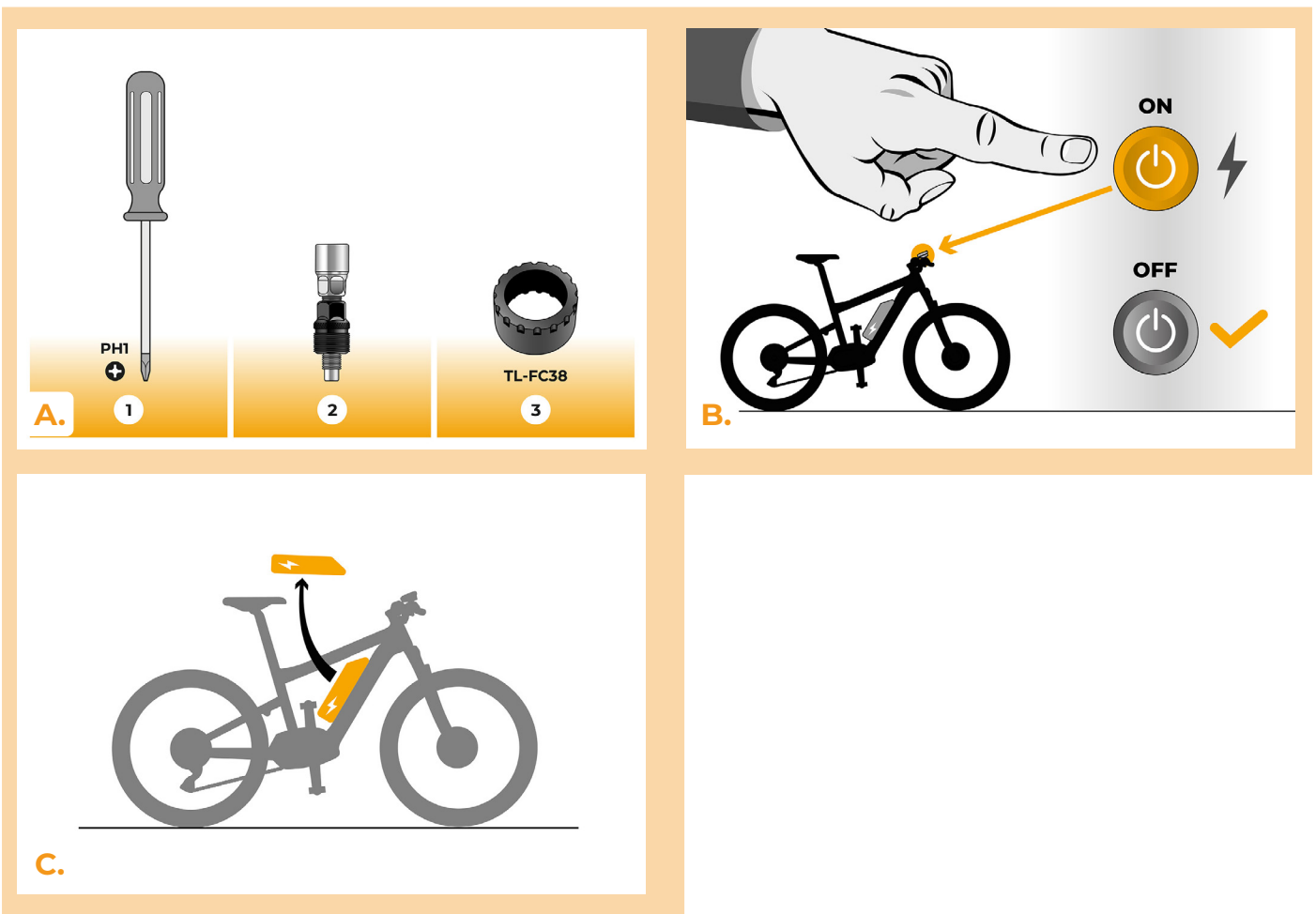


SpeedBox 1.0 for Shimano E6000

STEP 1: Preparation for installation

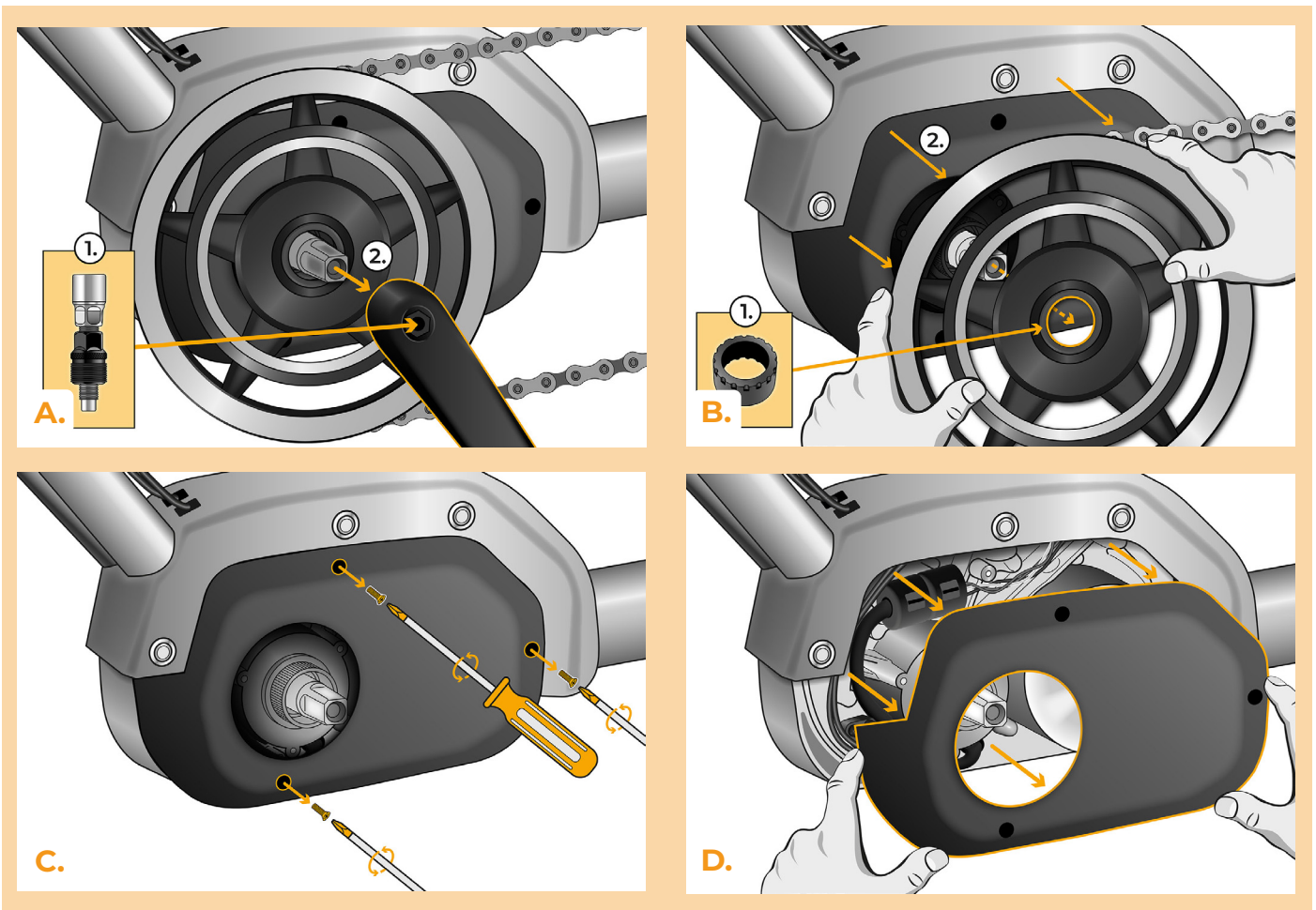
(tools may vary depending on the type of e-bike)

- A.** Prepare the following tools:
 1. Phillips screwdriver PH1
 2. Crank puller
 3. Adapter Removal Tool TL-FC38
- B.** Turn off the e-bike.
- C.** Remove the battery from the e-bike according to the manufacturer's manual.



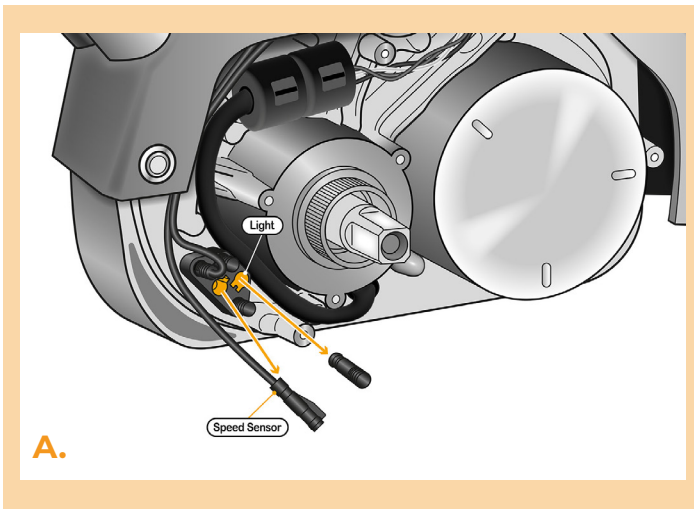
STEP 2: Cover removal

- A.** Using the crank puller, remove the crank according to the manufacturer's instructions to access the chainring.
- B.** Using the adapter removal tool TL-FC38, remove the chainring together with the chain from the motor axle.
- C.** Unscrew the screws holding the motor cover with the Phillips screwdriver PH1.
- D.** Remove the motor cover.



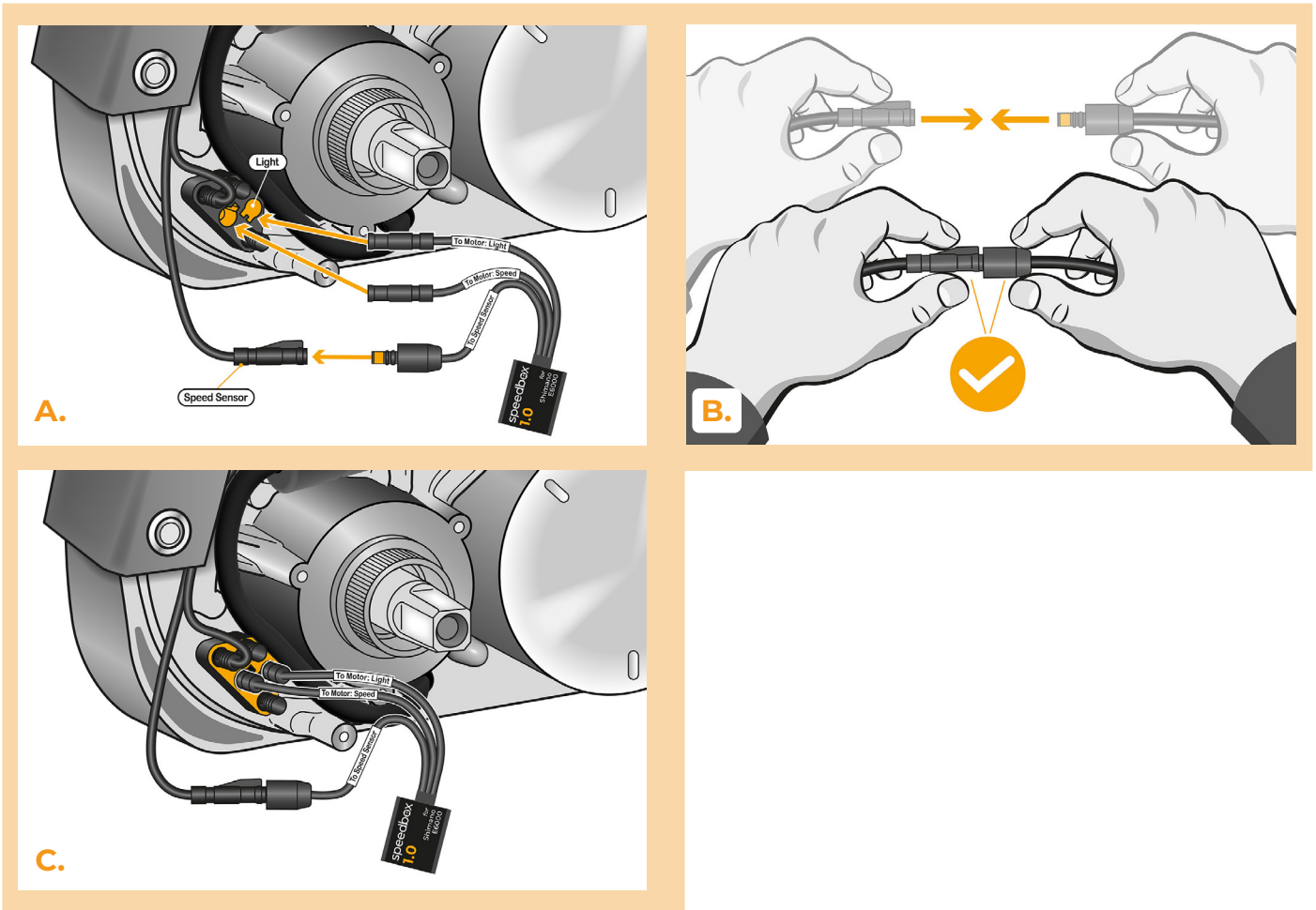
STEP 3: Disconnecting the connectors from the motor

- A. Unplug the speed sensor connector from the motor. The connector can be distinguished from the others by a lock. Remove the dummy plug from the empty motor port (Light).



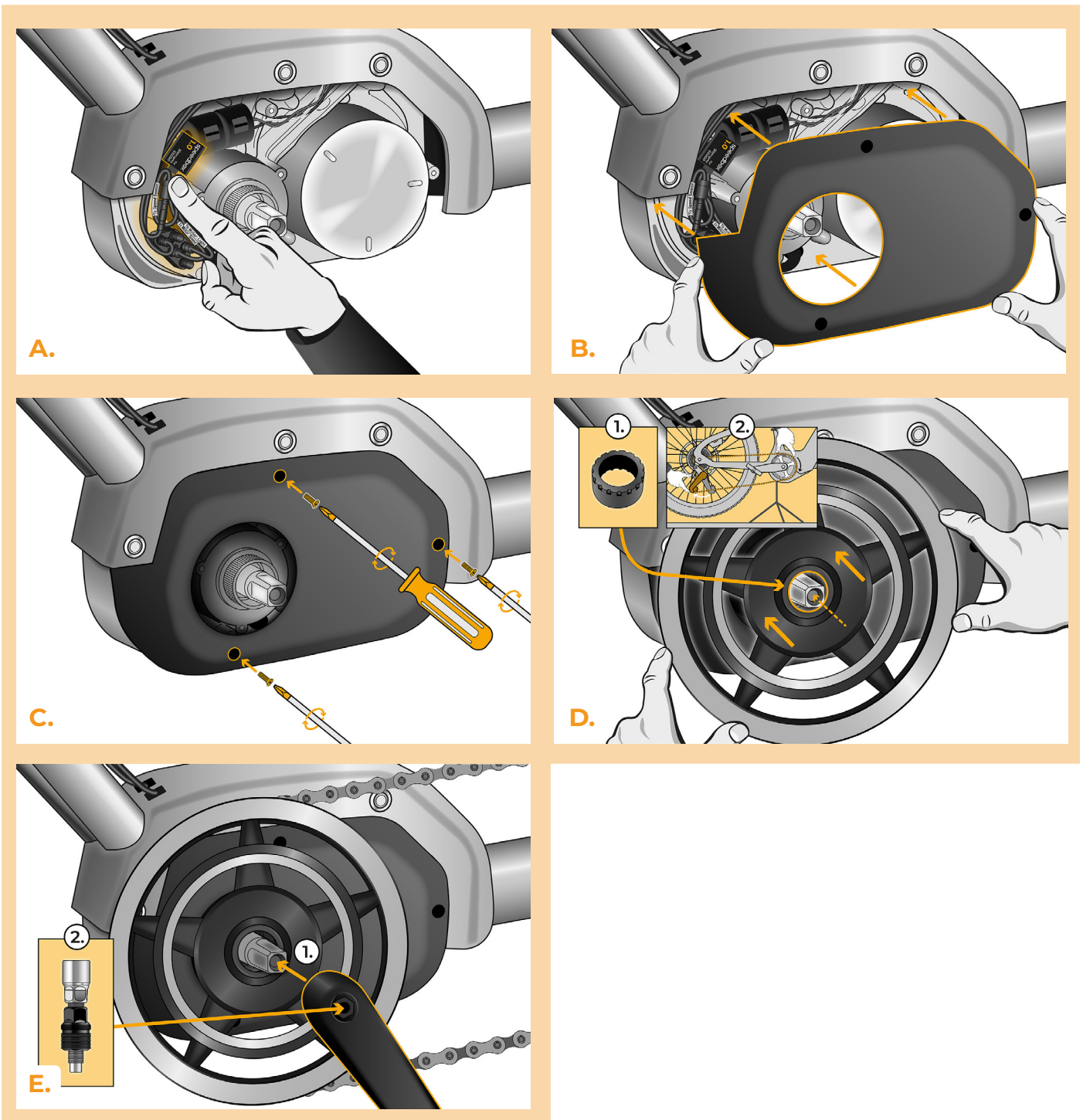
STEP 4: SpeedBox tuning installation

- A.** Plug SpeedBox into the disconnected connectors (step 3).
- B.** Plug the e-bike connectors, disconnected from the motor, into the SpeedBox connectors.
- C.** Before assembling the motor, check the correct wiring as shown in the figure.



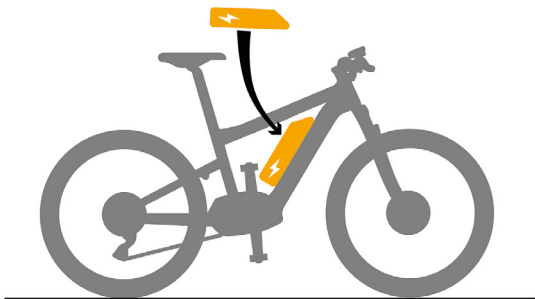
STEP 5: Motor cover assembly

- A.** Fit the SpeedBox and all connectors and wires leading from the motor into the free space in the motor compartment.
- B.** Place the motor cover back to its original position.
- C.** Attach the motor cover with screws using the Phillips screwdriver PH1.
- D.** Reattach the chainring and put the chain back on.
- E.** Screw the crank back to the motor axle.

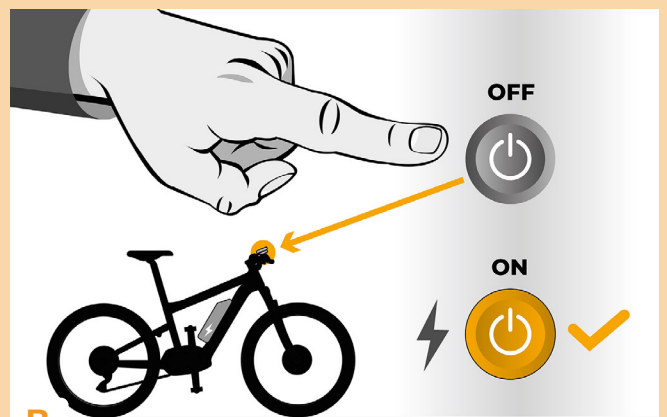


STEP 6: Tuning function check

- A.** Place the battery back into the e-bike.
- B.** Turn the e-bike on.
- C.** You will activate/deactivate SpeedBox by pressing the LIGHT button. If SpeedBox is activated, the actual speed will appear on your display up to 22 km/h. Then the speed indicator gets stabilized and keeps on showing the same value even at higher speeds.
- D.** Spin the rear wheel and make sure the rear wheel speed is shown on the e-bike display.



A.



B.



C.



D.



www.speedbox-tuning.com

Ebike Electronic s.r.o.

Rybna 716/24 | 110 00 Praha 1 | Czech Republic | ID: 05553555 | VAT: CZ05553555

