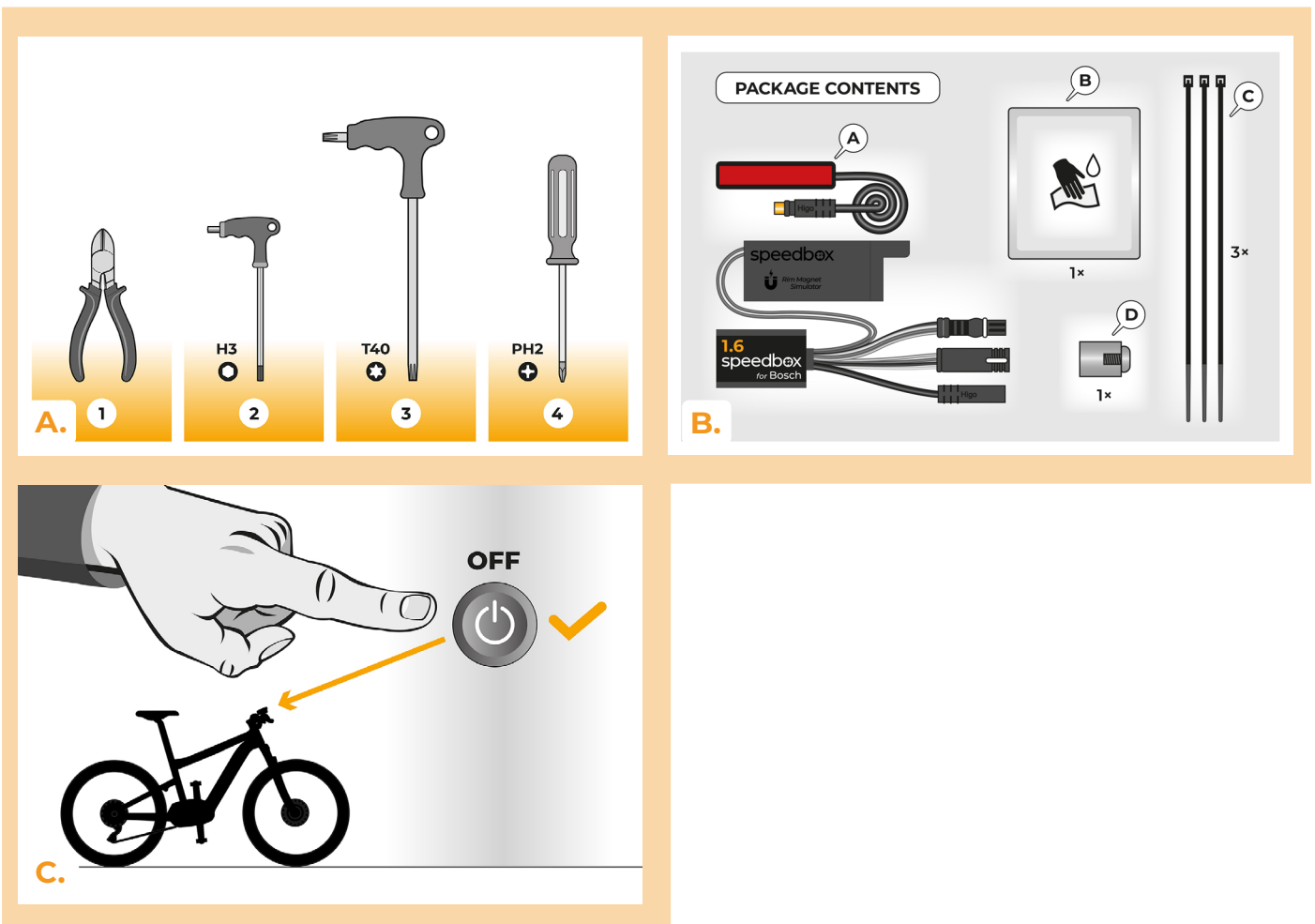


SpeedBox 3.1 B.Tuning for TQ

STEP 1: Preparation for installation

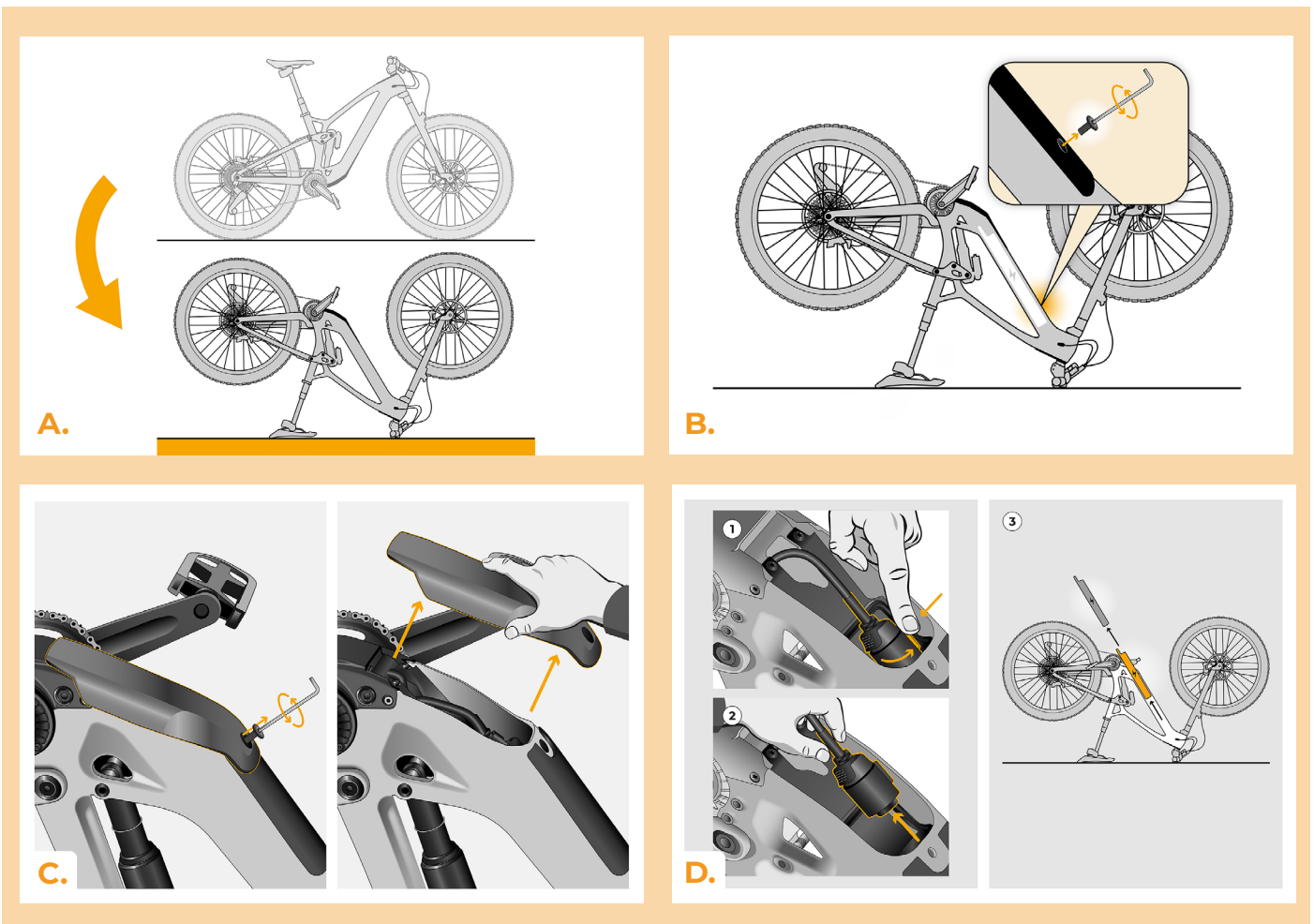
- A.** If the TQ HPR50 or TQ HPR60 motor is installed, continue with step 1b. If the TQ HPR40 motor is installed, skip directly to step 10.
- B.** Prepare the following tools (tools may vary depending on the type of e-bike):
 1. Hex key H4
 2. Torx screwdriver T10
 3. Torx screwdriver T20
- C.** Turn off the e-bike.

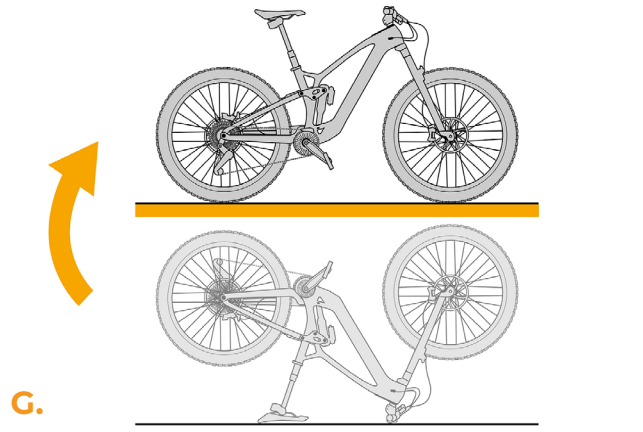
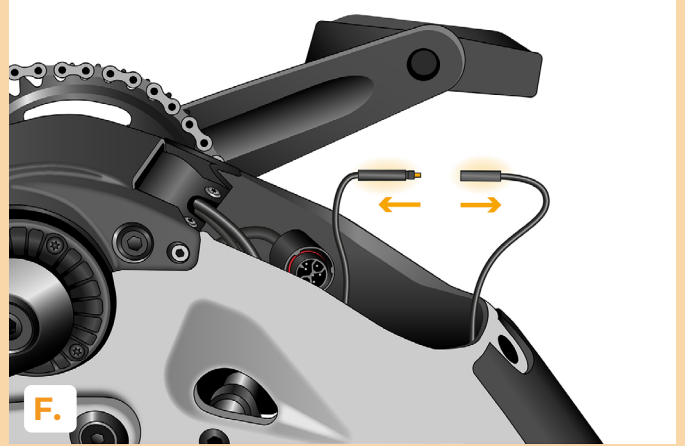
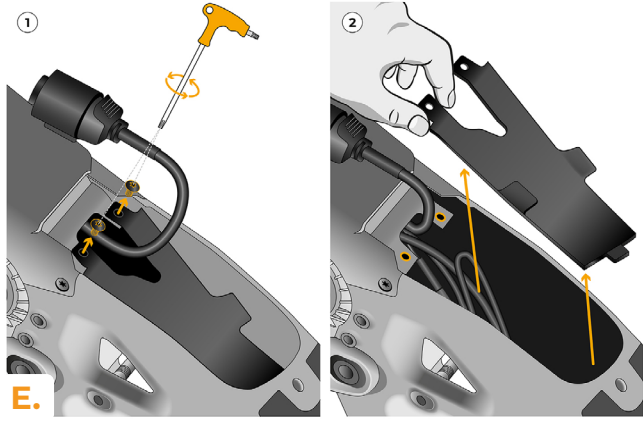


STEP 2: Disassembly of the e-bike frame

Motor cover disassembly may vary depending on the e-bike's design.

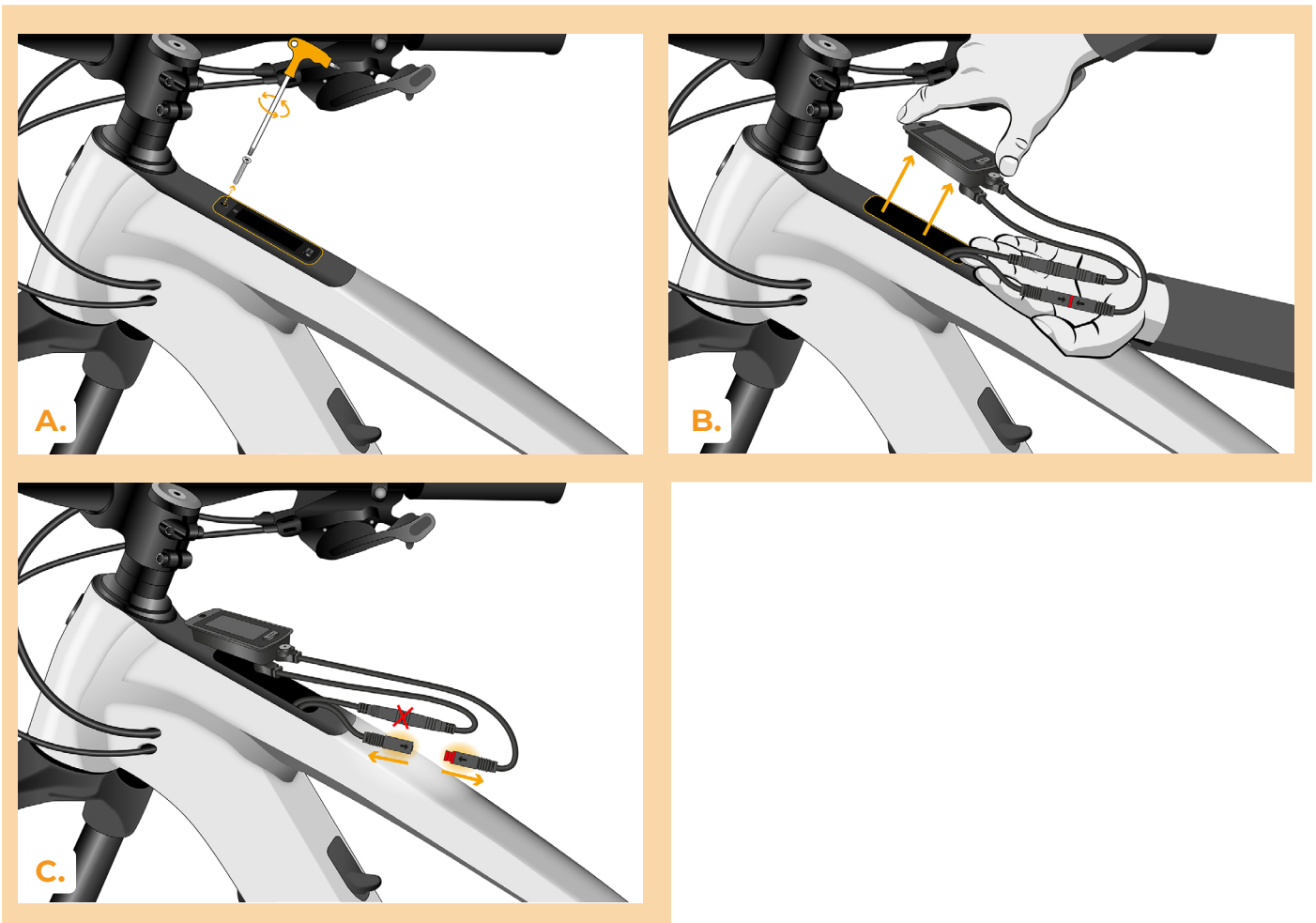
- A.** Turn the e-bike upside down so the motor faces upward.
- B.** Unscrew the battery safety bolt from the frame using the H4 Hex key.
- C.** Unscrew and remove the motor cover from the e-bike frame using the H4 Hex key.
- D.** Disconnect the battery from the power supply and then remove it from the e-bike frame.
- E.** Unscrew and remove the inner motor connector cover using the T20 Torx screwdriver.
- F.** Disconnect the speed sensor cable connector.
- G.** Turn the e-bike back onto its tires.





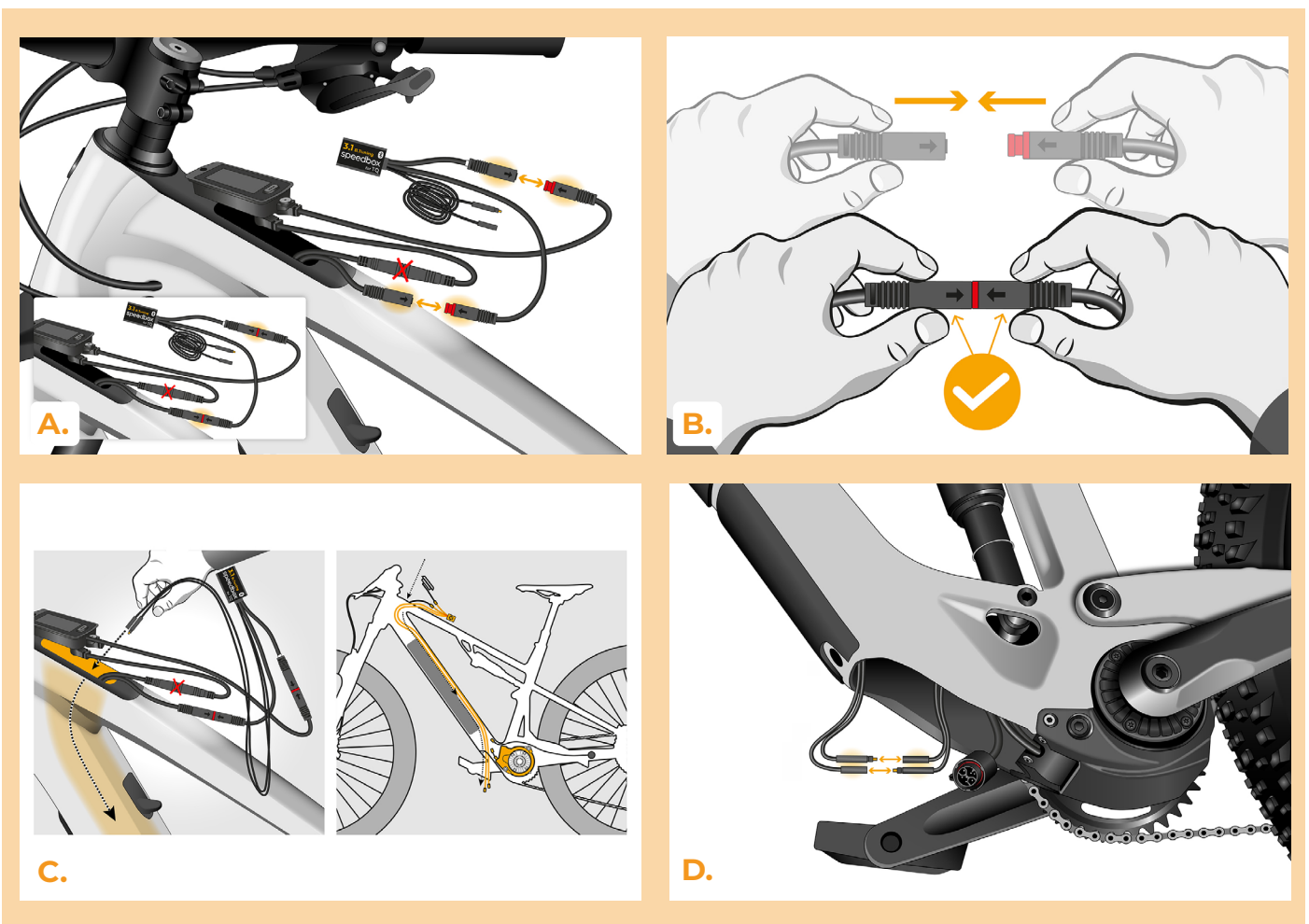
STEP 3: Disassembly of TQ Display

- A.** Unscrew the TQ display from the e-bike frame using the T10 Torx screwdriver.
- B.** Pull the TQ display out of the e-bike frame together with the connectors.
- C.** Disconnect the cable connector leading to the motor.



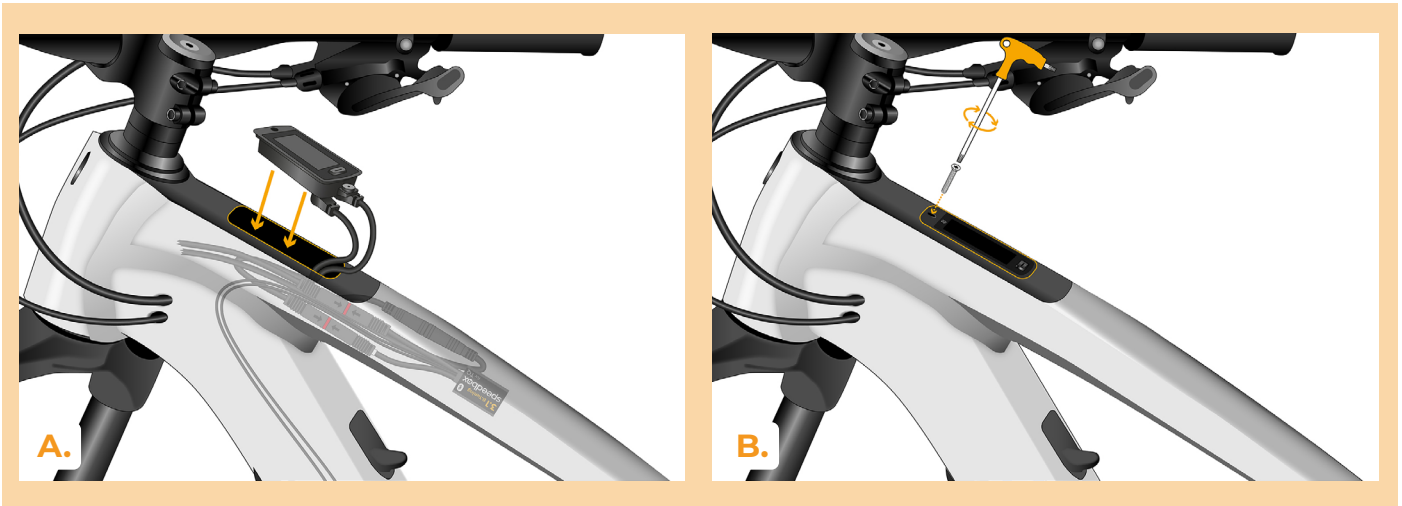
STEP 4: SpeedBox tuning installation

- A.** Connect the SpeedBox Tuning device to the disconnected connectors between the TQ display and the motor cable (step 3).
- B.** Make sure the connector locks fit properly into each other.
- C.** Now route the two long cables through the e-bike frame via the TQ display opening down to the motor.
- D.** Connect the cables to the disconnected speed sensor connectors.



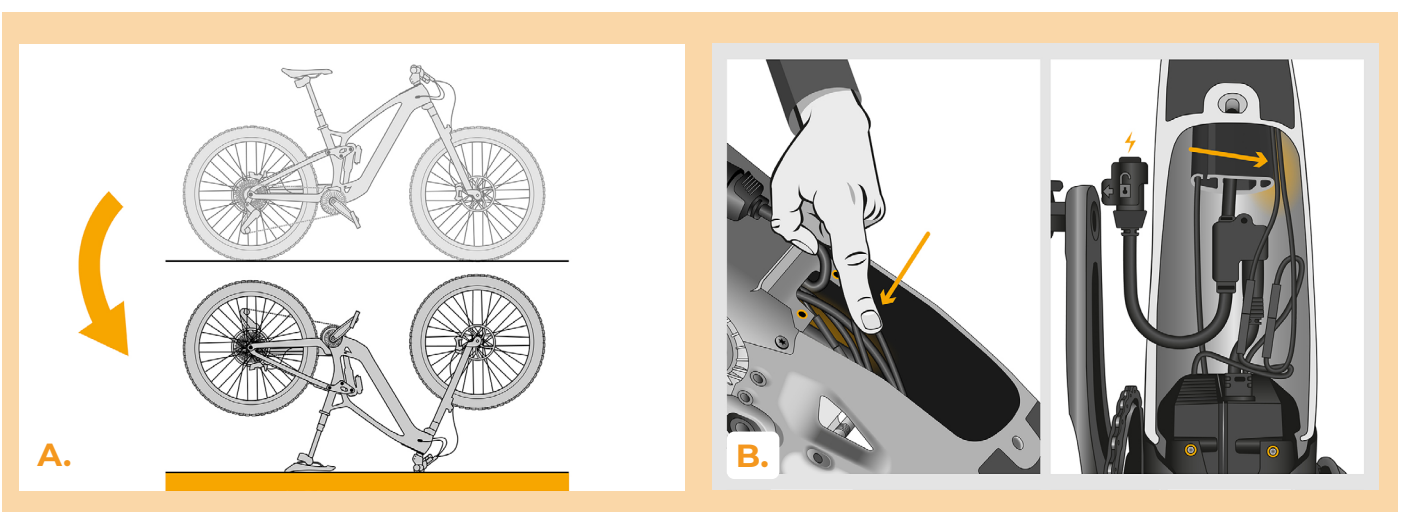
STEP 5: Installation of TQ Display

- A. Insert the TQ display back into the e-bike frame together with the SpeedBox device
- B. Use the T10 Torx screwdriver to screw it back into the e-bike frame.

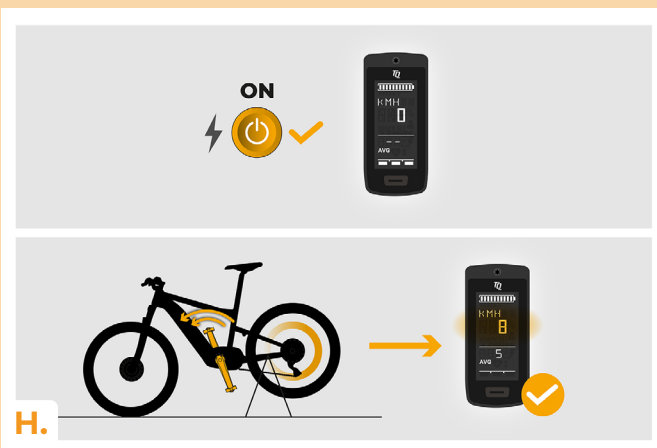
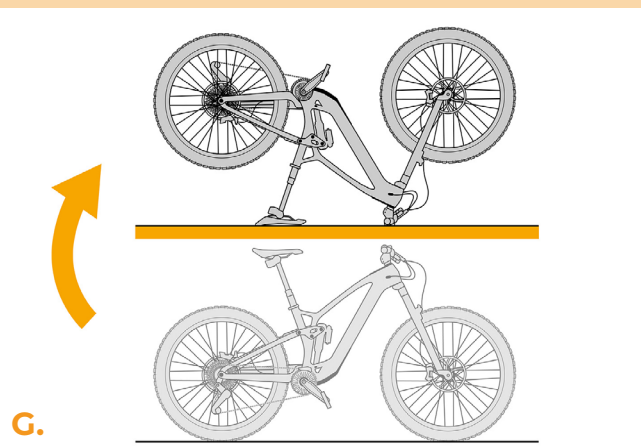
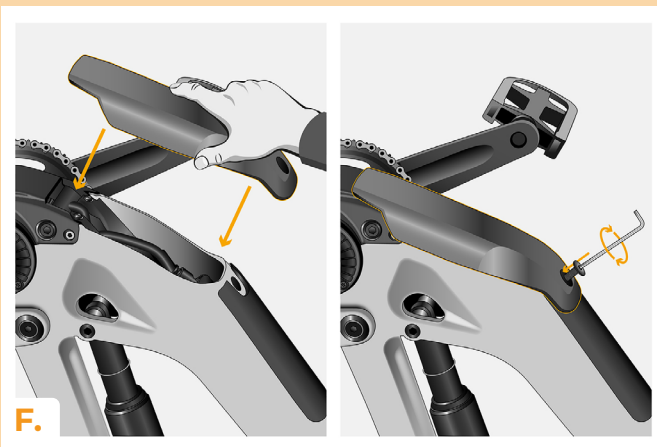
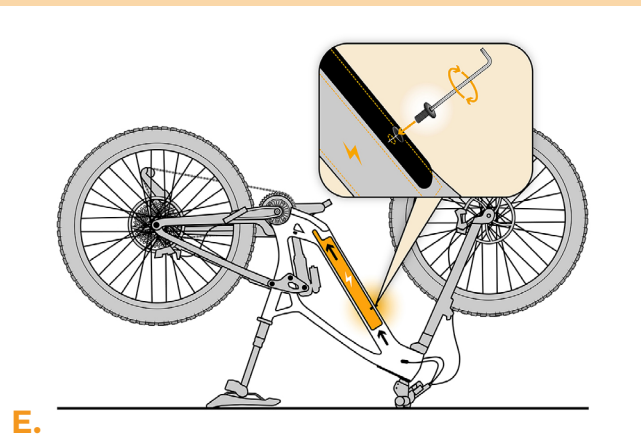
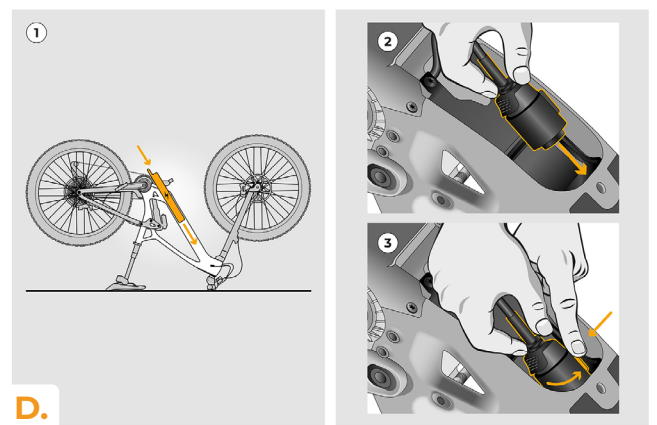
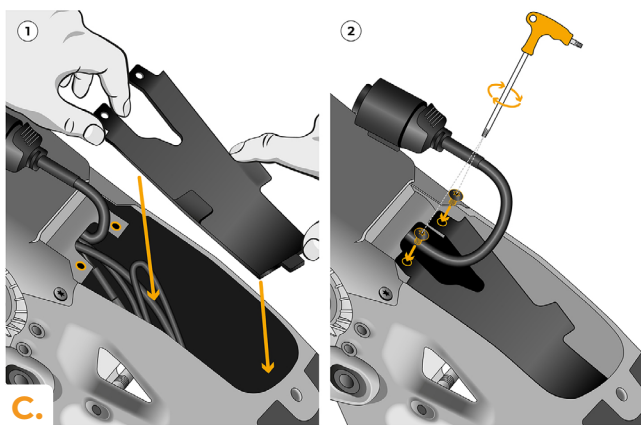


STEP 6: Reinstallation of the motor and battery cover on the e-bike

- A. Turn the bike upside down.
- B. Place the cables back into the motor compartment. Make sure the speed sensor cables do not obstruct the insertion of the battery.

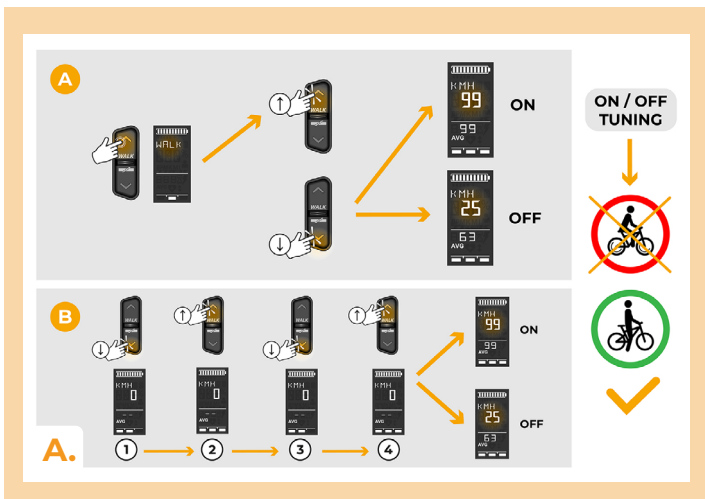


- C.** Reinstall the motor connector cover and screw it in using the T20 Torx screwdriver.
- D.** Insert the battery into the bike frame and connect the power connector.
- E.** Slightly pull out the battery so that the threaded holes overlap and it can be secured with a screw.
- F.** Now reinstall the motor cover on the e-bike frame and screw it in using the H4 Hex key.
- G.** Turn the e-bike back onto its tires.
- H.** Check the functionality of the SpeedBox Tuning device.



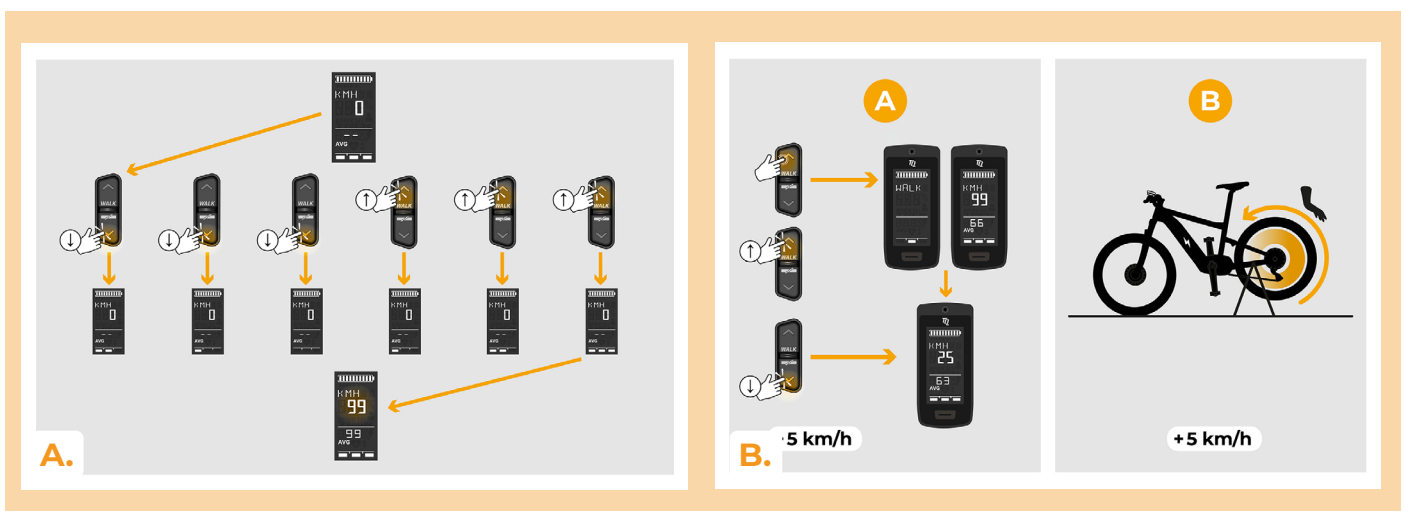
STEP 7: Tuning function check

- A.** Activation and deactivation of the SpeedBox device is done by briefly activating the WALK function and changing the modes: + - - (↑↓↑↓). Note: Always activate/deactivate the tuning before riding, not during the ride.



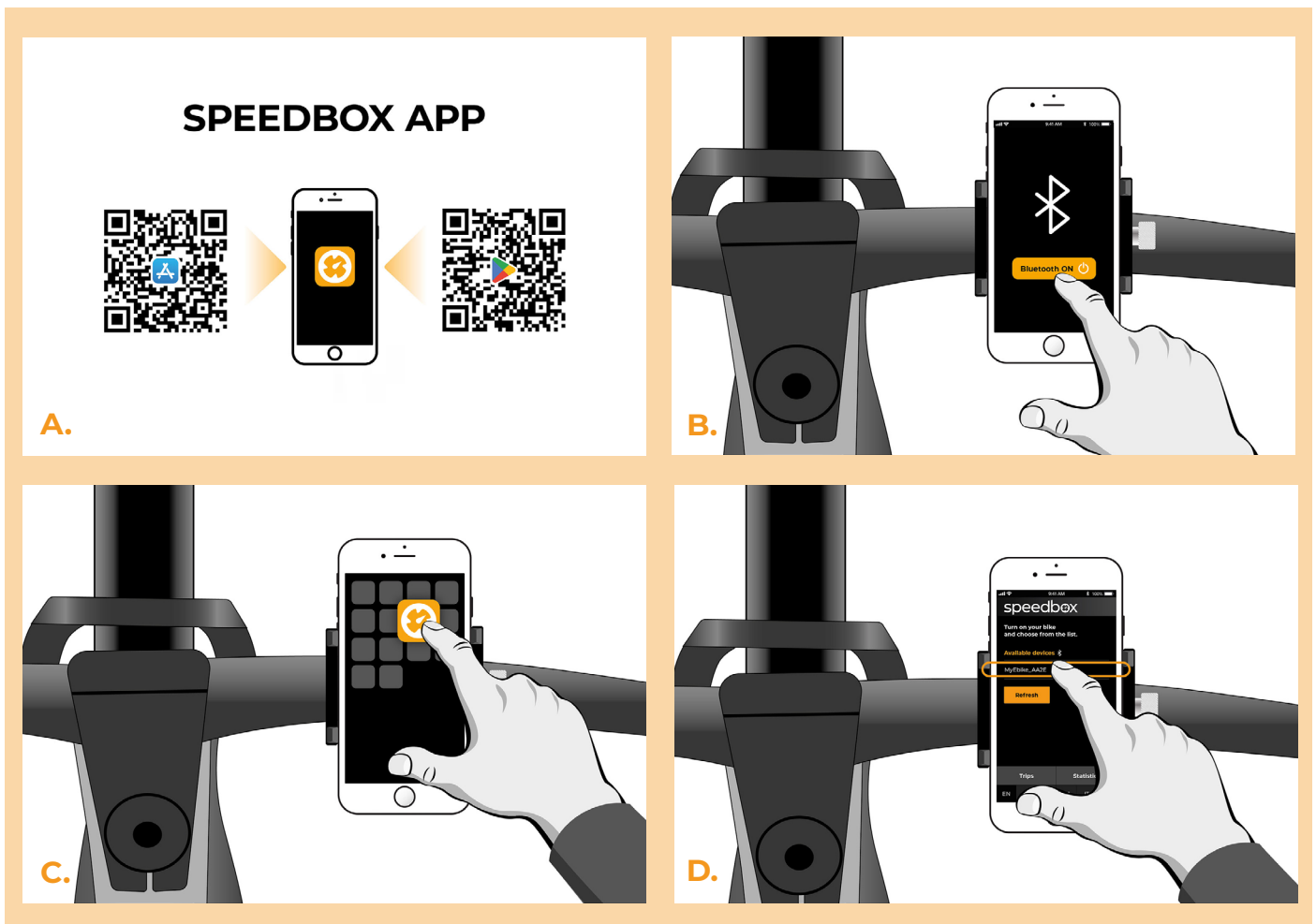
STEP 8: Setting the speed limit

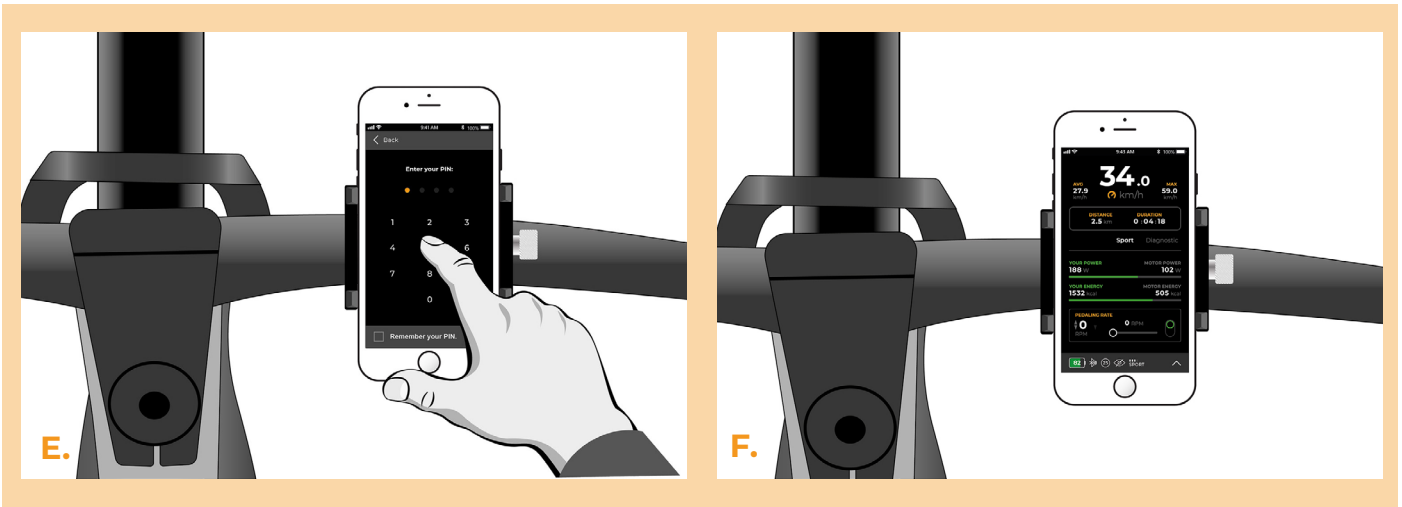
- A.** Set the maximum pedal-assist speed by changing the modes: High – Mid – Eco – Off – Eco – Mid – High (↓↓↑↑↑↑). The current speed limit will then be displayed on the screen.
- B.** Set the maximum pedal-assist speed by briefly activating the WALK function or by turning the rear wheel 360°. The last displayed limit will be saved after five seconds of inactivity.



STEP 8: Pairing SpeedBox with the SpeedBox App

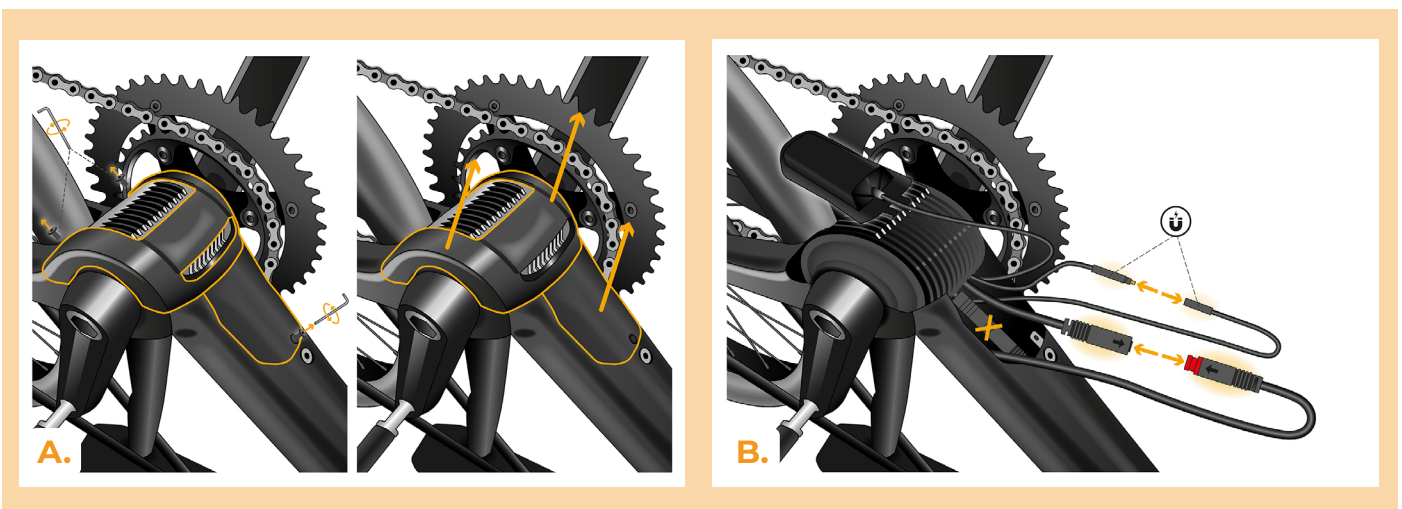
- A.** Install the SpeedBox App from Google Play or App Store.
- B.** Turn on Bluetooth on your phone.
- C.** Open the SpeedBox App. Enable location services if prompted.
- D.** Select the device MyEbike_XXXX. If you do not see it in the list, click on the “Refresh” button and, if necessary, make sure that:
 1. Your e-bike is switched on.
 2. You are not further than 5 m from your e-bike.
 3. You have Bluetooth turned on on your mobile phone.
 4. You have enabled location services for the SpeedBox App.
- E.** Choose and confirm your PIN and service password.
- F.** Now you can fully enjoy the SpeedBox App (control tuning, monitor riding data, and information about motor performance and energy consumption, you can set the speed limit, etc.).

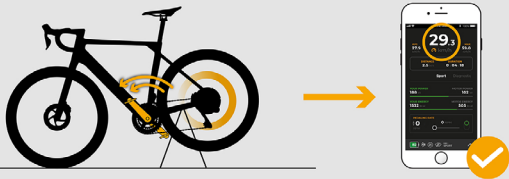
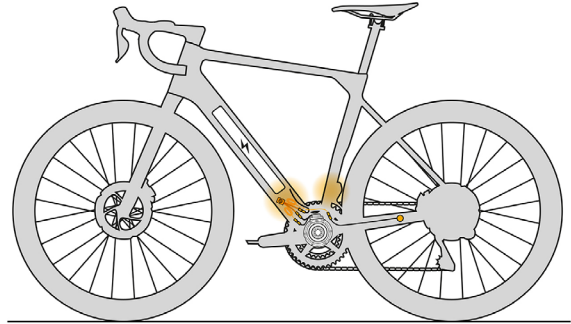
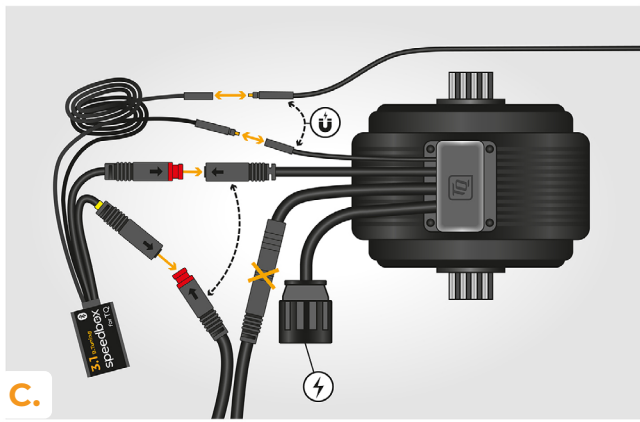




STEP 10: Installation of SpeedBox Tuning for TQ HPR40

- A.** Remove all necessary bicycle components to gain access to the motor connectors.
- B.** Disconnect the speed sensor cable connector and the motor connector.
- C.** Connect the SpeedBox Tuning to the disconnected connectors according to the illustration.
- D.** Place the SpeedBox Tuning into the free space inside the bicycle frame and then reassemble the e-bike to its original condition.
- E.** Switch on the e-bike and pair it with the SpeedBox application (step 9). Check the functionality of the SpeedBox Tuning in the SpeedBox App.





www.speedbox-tuning.com

Ebike Electronic s.r.o.

Rybna 716/24 | 110 00 Praha 1 | Czech Republic | ID: 05553555 | VAT: CZ05553555

